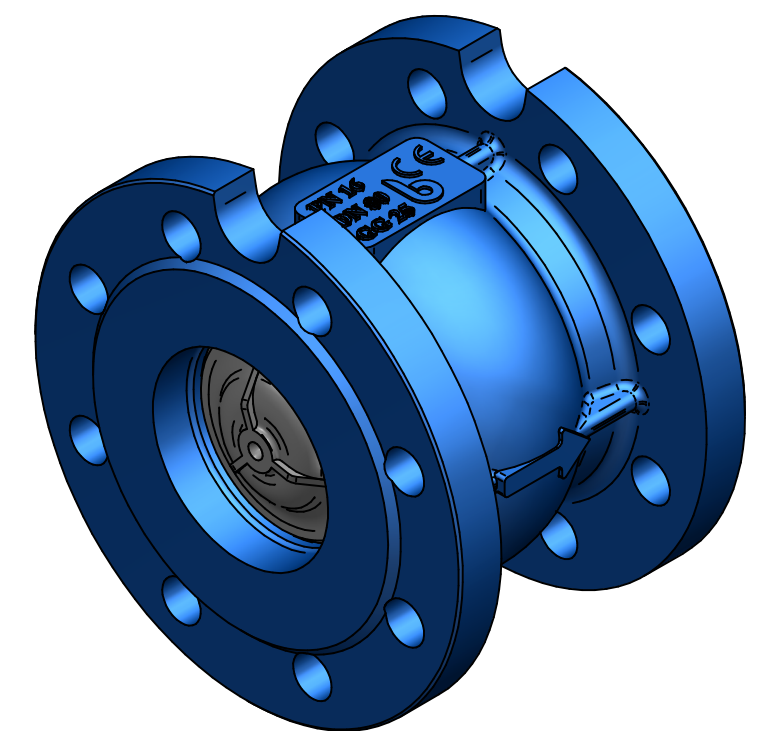
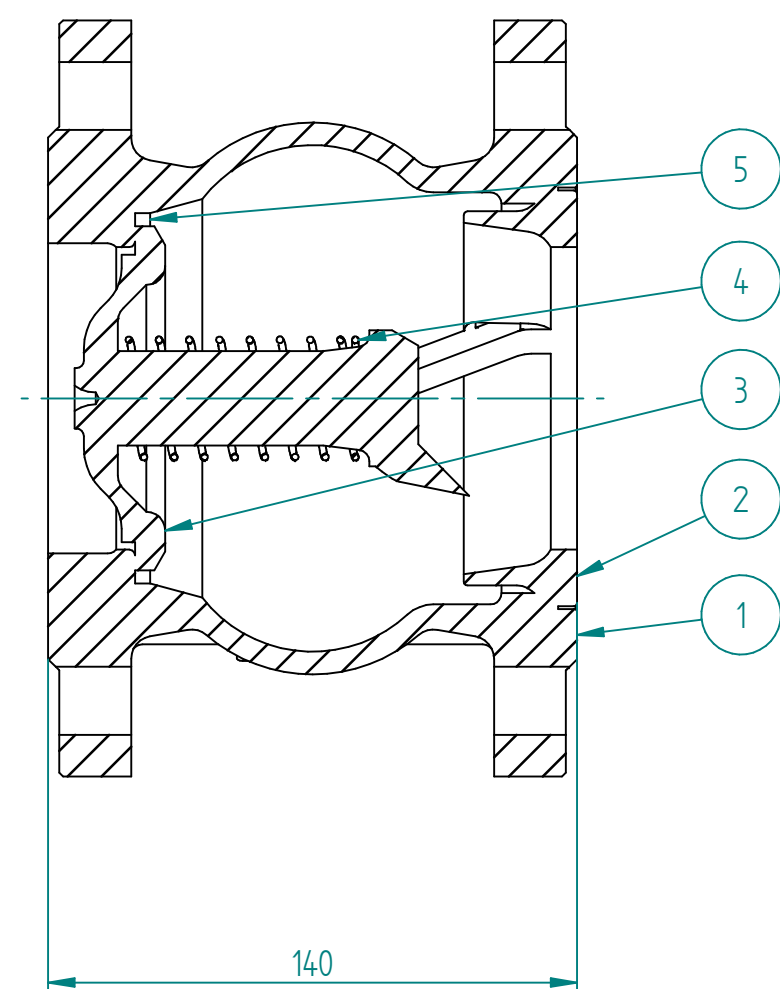
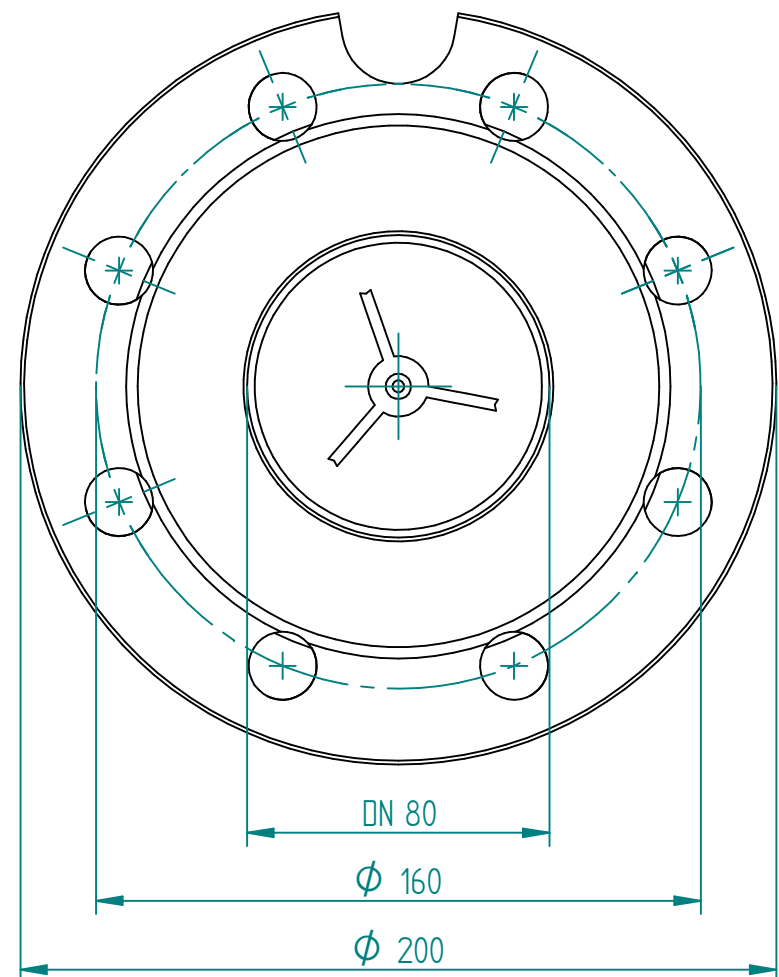



Pos	Part name	Material
1	Body	GG25 / EN- GJL- 250
2	Guide	GGG40 / EN- GJS- 400-15
3	Closing system	GGG40 / EN- GJS- 400-15
4	Spring	AISI 302
5	Seal	EPDM



	NAME	DATE	SIZE	DWG NO	UNLESS OTHERWISE SPECIFIED DIMENSIONS ARE IN MILLIMETERS AND TOLERANCES ARE +/-0,5
	DRAWN	EMLA	20.12.2023	A3 ZET-180-402-52C-0080	
	CHECKED	EMLA	20.12.2023	FILE NAME: ZET-180-402-52C-0080.dft	
	ENG APPR	TOCO	dd.mm.yyyy	SCALE: 1:2 REV: 00	
MGR APPR	TOCO	dd.mm.yyyy	WEIGHT: 10.8 kg	SHEET: 1 OF 1	

REV	DESCRIPTION	DATE	APPROVED
00	ISSUED	21.12.23	RAGA
REVISION HISTORY			

TITLE CHECK VALVE FIG.402 DN80 PN16, GG25, GGG40/EPDM L-140MM, EPOXY COATED