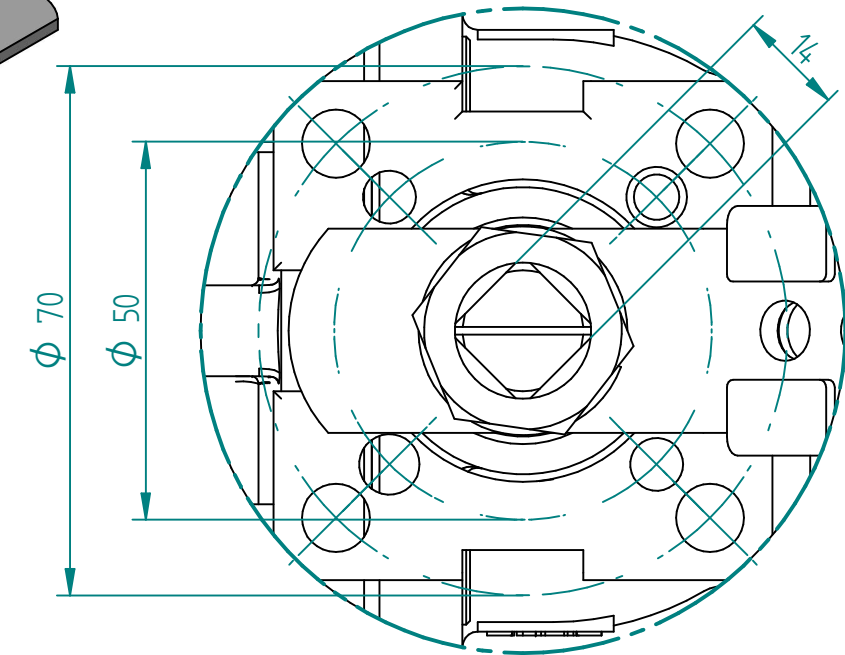
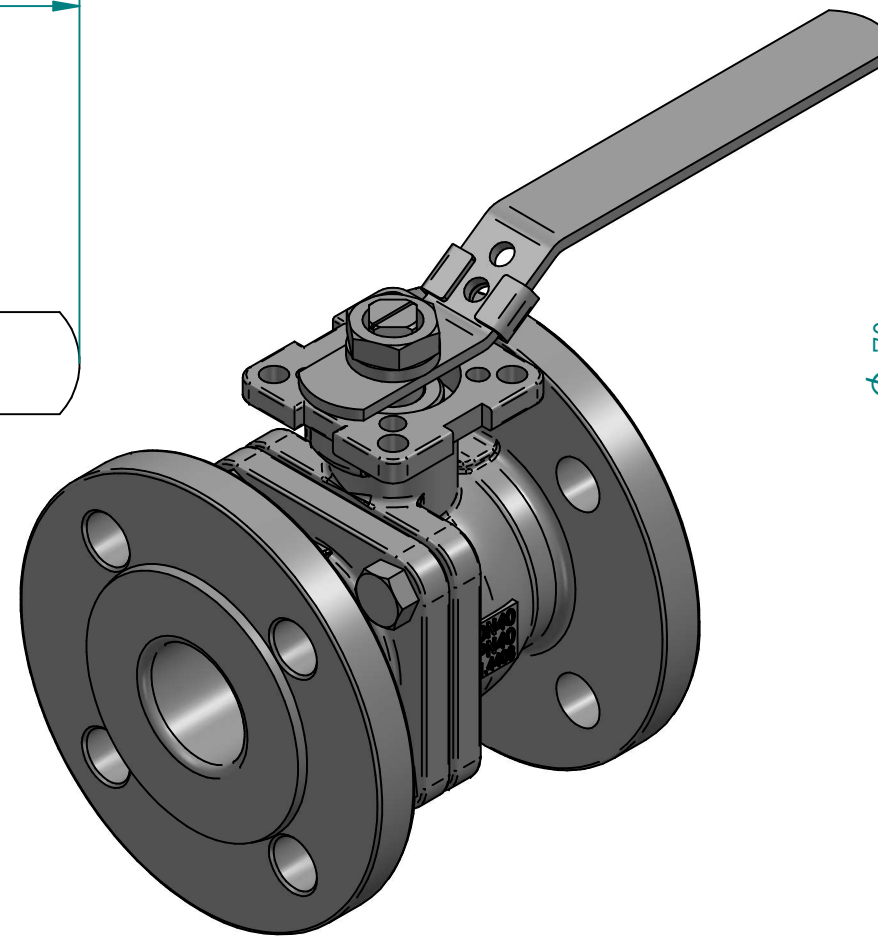
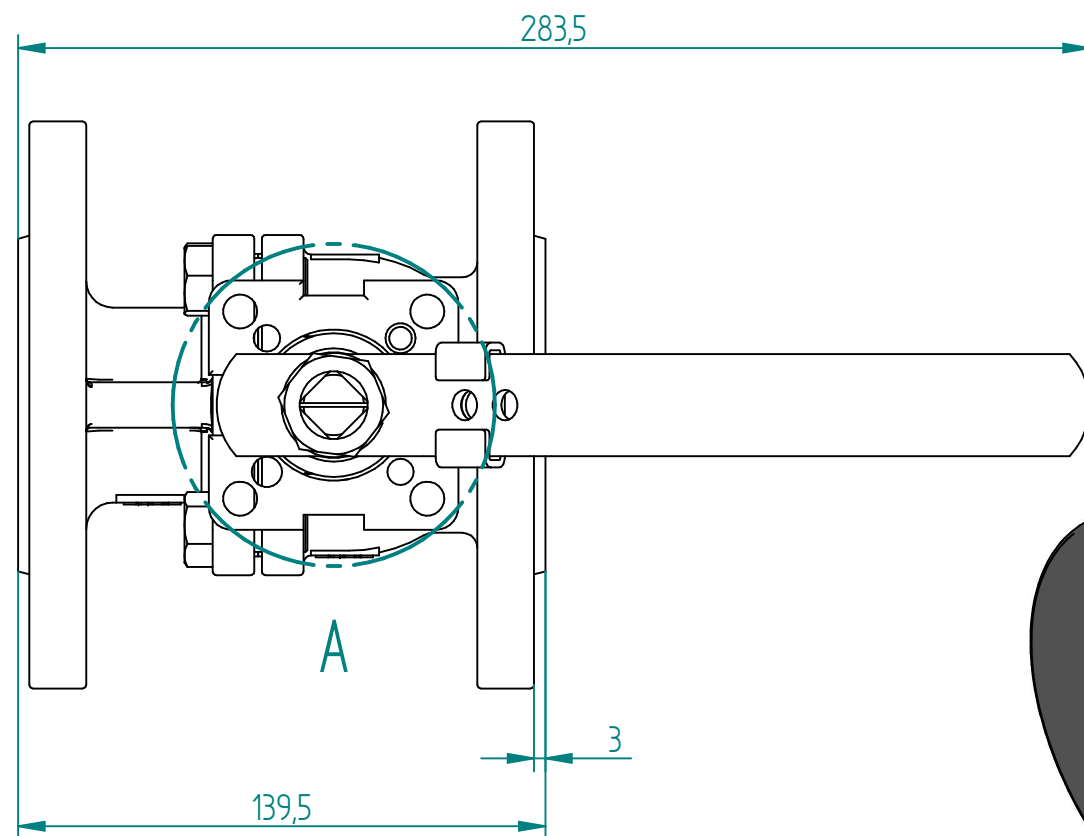


POS	Item Number	Description
1	Body	Stainless steel 1.4408
2	Bonnet	Stainless steel 1.4408
3	Ball	Stainless steel SS316
4	Seat	Stainless steel SS316
5	Stem	PTFE+SS316
6	Stem washer	PTFE
7	Gasket	PTFE
8	Bolt	SS316
9	Packing	PTFE
10	Gland nut	SS304



DETAIL A
ISO 5211 Mounting Pad
1:1



TITLE BALL VALVE V-PORT 60 DEG 1 1/2"
FLANGED PN40 SS316
SQR 14 F05/F07 SS SEAT WITH LEVER

	NAME	DATE	SIZE	DWG NO
DRAWN	MOTO	06.04.2020	A3	YON-100-F60-0040
CHECKED	ORLA	06.04.2020	FILE NAME: YON-100-F60-0040.dft	
ENG APPR	TOCO	dd.mm.yyyy	SCALE: 1:2	REV:
MGR APPR	TOCO	dd.mm.yyyy	WEIGHT:	SHEET: 1 OF 1

UNLESS OTHERWISE
SPECIFIED
DIMENSIONS ARE IN
MILLIMETERS
AND TOLERANCES ARE
+/-0,5

REV	DESCRIPTION	DATE	APPROVED
REVISION HISTORY			