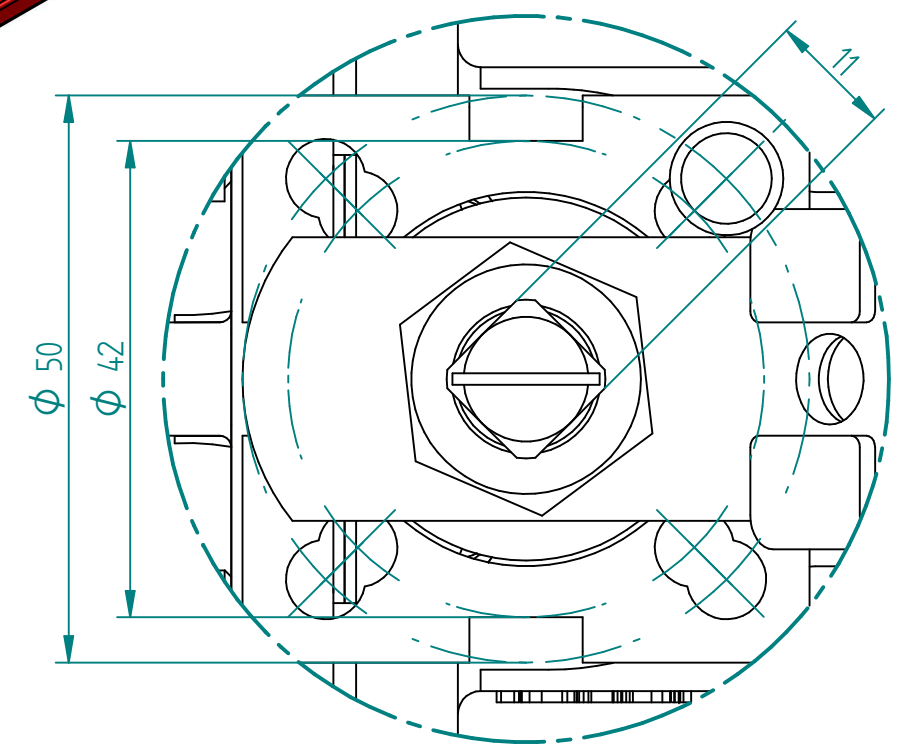
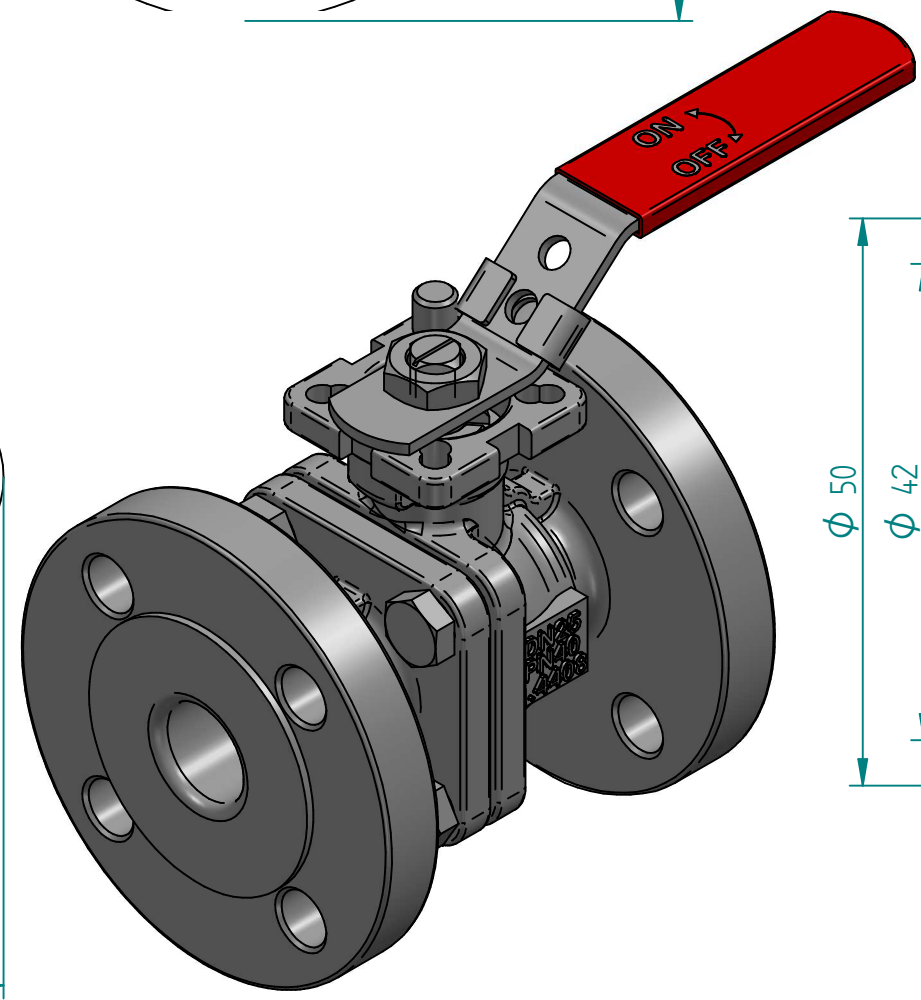
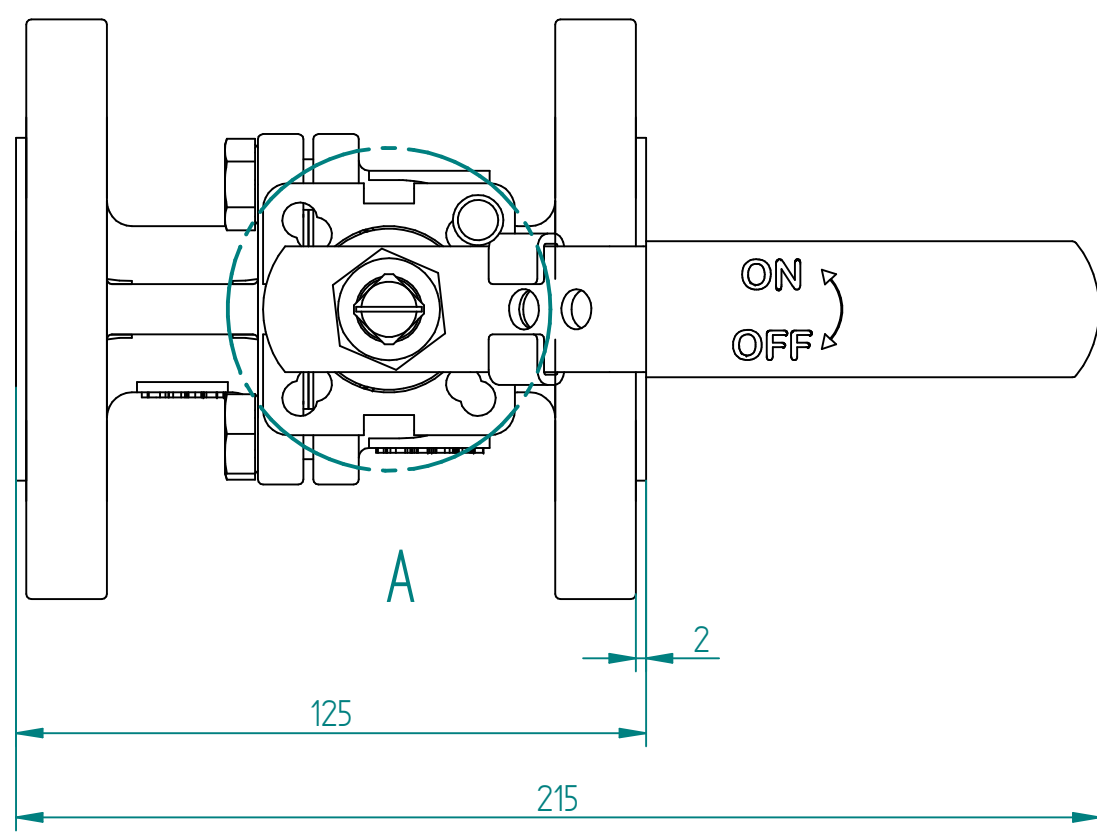


POS	Item Number	Description
1	Body	Stainless steel 1.4408
2	Bonnet	Stainless steel 1.4408
3	Ball	Stainless steel SS316
4	Seat	Stainless steel SS316
5	Stem	PTFE+SS316
6	Stem washer	PTFE
7	Gasket	PTFE
8	Bolt	SS316
9	Packing	PTFE
10	Gland nut	SS304



DETAIL A
ISO 5211 Mounting Pad
1,5:1



TITLE	DRAWN	NAME	DATE	SIZE	DWG NO	UNLESS OTHERWISE SPECIFIED DIMENSIONS ARE IN MILLIMETERS AND TOLERANCES ARE +/-0,5					
							BALL VALVE V-PORT 60 DEG 1" FLANGED PN40 SS316 SQR 11 F04/F05 SS SEAT WITH LEVER	MOTO	06.04.2020	A3	YON-100-F60-0025
							CHECKED	ORLA	06.04.2020	FILE NAME:	YON-100-F60-0025.dft
							ENG APPR	TOCO	dd.mm.yyyy	SCALE:	1:1,5
MGR APPR	TOCO	dd.mm.yyyy	WEIGHT:		SHEET:	1 OF 1					

REV	DESCRIPTION	DATE	APPROVED
REVISION HISTORY			