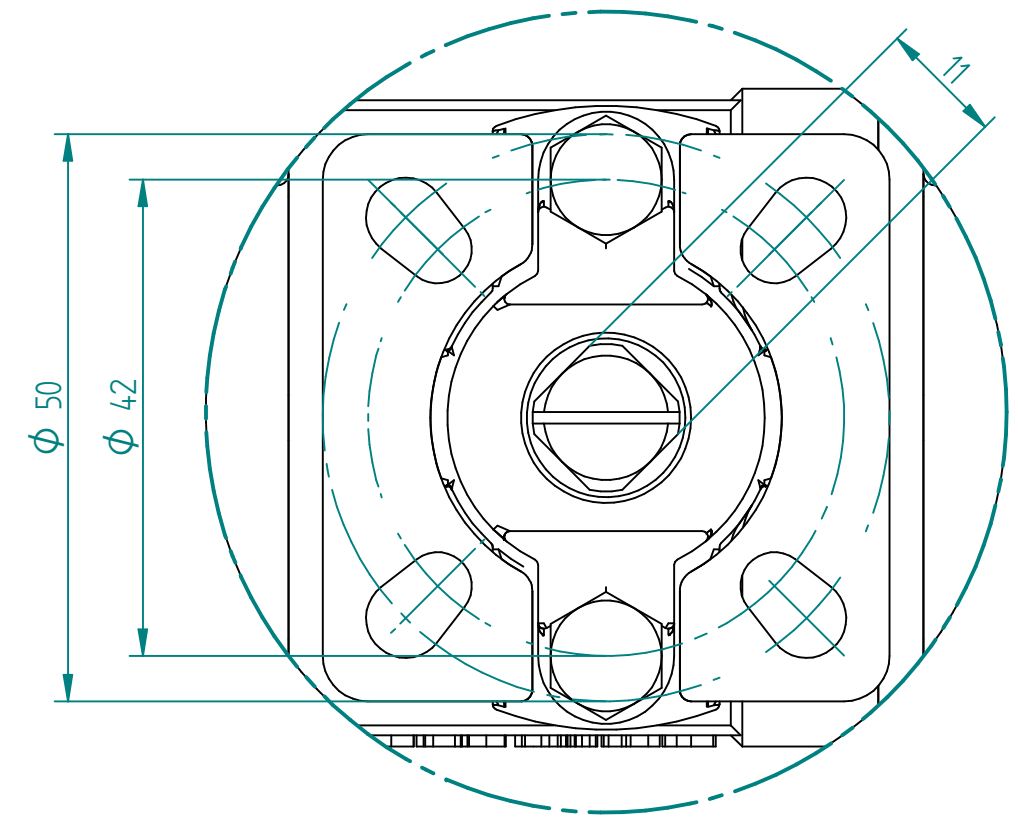
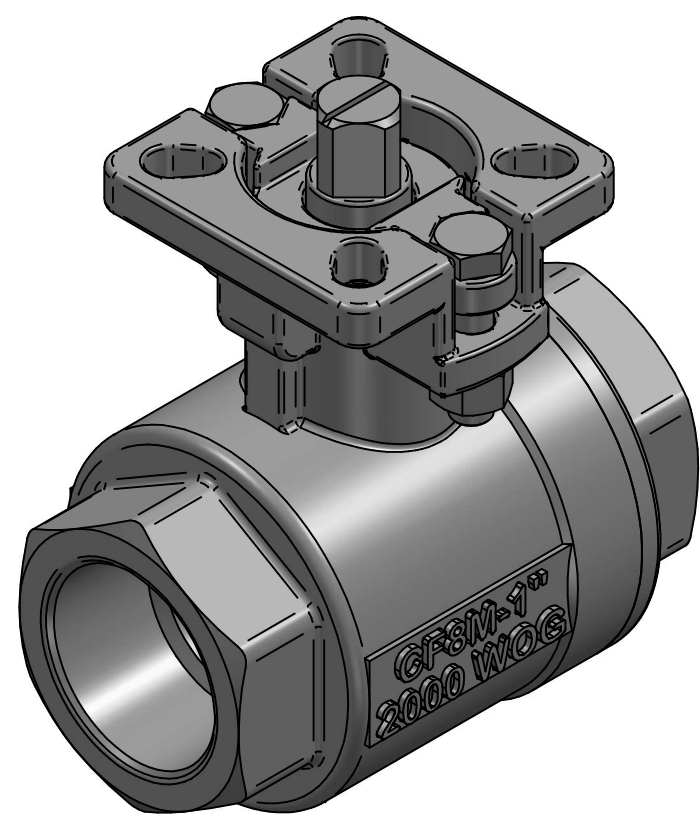
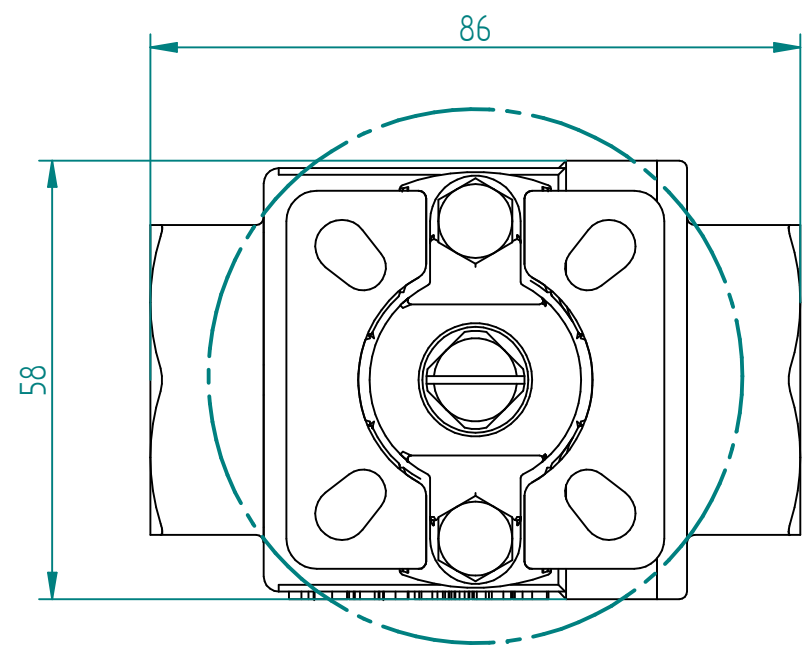



POS	Item Number	Description
1	Body	ASTM A351 CF8M
2	Bonnet	ASTM A351 CF8M
3	Ball	Stainless steel (SS316)
4	Stem	Stainless steel (SS316)
5	Seat	50% PTFE+SS316
6	Washer	PTFE
7	Gasket	PTFE
8	Stem packing	PTFE
9	Ring	SS316
10	Belleville washer	SS301
11	Gland flange	CF8
12	O-ring	Viton



DETAIL A
ISO 5211 Mounting Pad
1,5:1

	NAME	MOTO	DATE	06.04.2020	SIZE	A3	DWG NO	YON-100-BSP30-0025
	DRAWN	ORLA	DATE	06.04.2020	FILE NAME:	YON-100-BSP30-0025.pdf		
	CHECKED	TOCO	DATE	dd.mm.yyyy	SCALE:	1:1	REV:
	ENG APPR	TOCO	DATE	dd.mm.yyyy	WEIGHT:	SHEET: 1 OF 1		

UNLESS OTHERWISE SPECIFIED DIMENSIONS ARE IN MILLIMETERS AND TOLERANCES ARE +/-0,5

REV	DESCRIPTION	DATE	APPROVED
REVISION HISTORY			

TITLE BALLVALVE V-PORT 30 DEG 1" BSP 2000WOG SS316 2PC SQR 11 F04/F05 50/50 SS SEAT