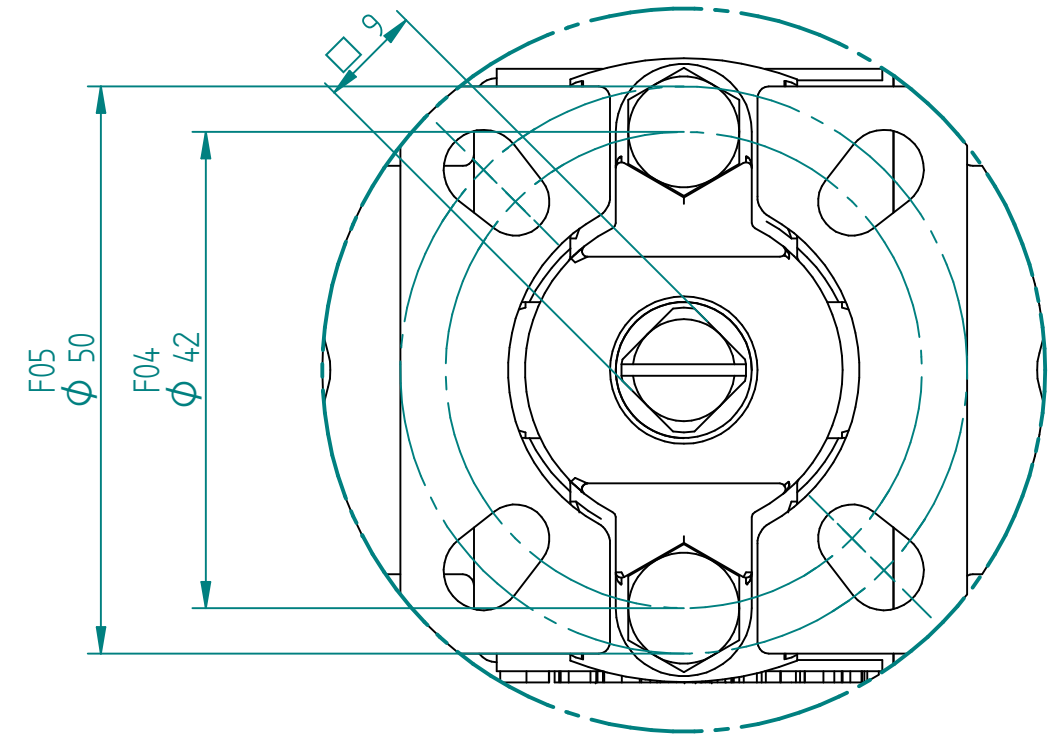
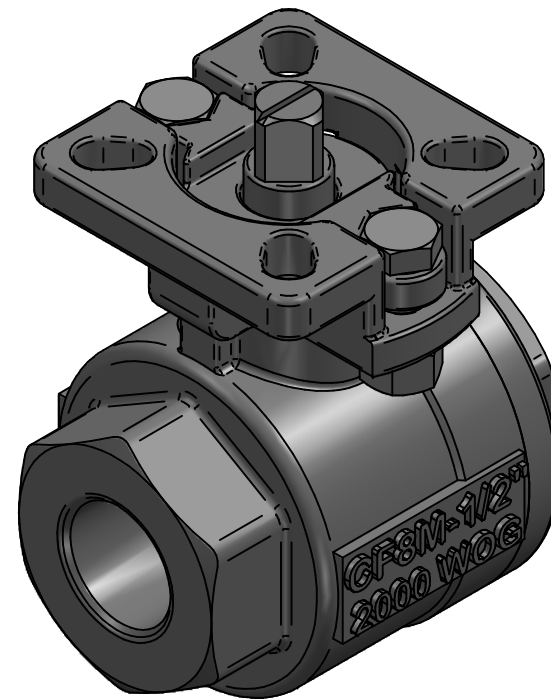
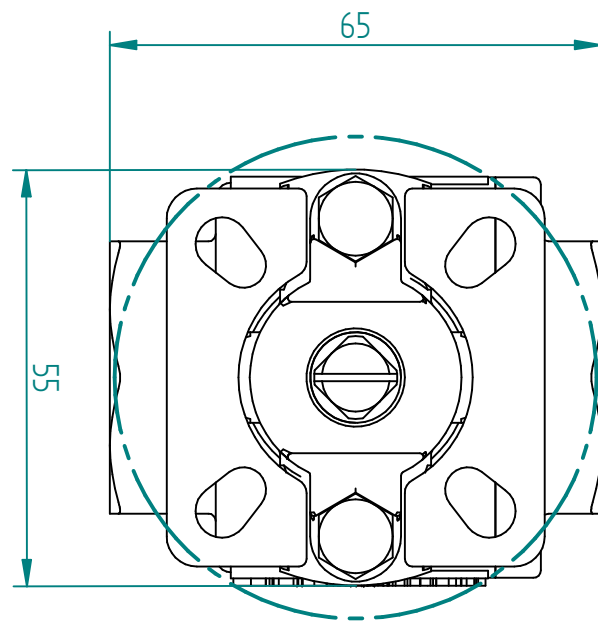


POS	Item Number	Description
1	Body	ASTM A351 CF8M
2	Bonnet	ASTM A351 CF8M
3	Ball	Stainless steel (SS316)
4	Stem	Stainless steel (SS316)
5	Seat	50% PTFE+SS316
6	Washer	PTFE
7	Gasket	PTFE
8	Stem packing	PTFE
9	Ring	SS316
10	Belleville washer	SS301
11	Gland flange	CF8
12	O-ring	Viton



DETAIL A  
ISO 5211 Mounting Pad

	NAME	RAGA	DATE	10/20/2023	SIZE	A3	DWG NO	YON-100-BSP30-0015
	DRAWN	TOCO	dd.mm.yyyy		FILE NAME:	YON-100-BSP30-0015.dft		
	CHECKED	TOCO	dd.mm.yyyy		SCALE:	1:1	REV:	1.0
	ENG APPR	TOCO	dd.mm.yyyy		WEIGHT:	SHEET: 1 OF 1		
MGR APPR	TOCO	dd.mm.yyyy						

UNLESS OTHERWISE SPECIFIED DIMENSIONS ARE IN MILLIMETERS AND TOLERANCES ARE +/-0,5

REV	DESCRIPTION	DATE	APPROVED
REVISION HISTORY			

TITLE BALL VALVE V-PORT 30 DEG 1/2" BSP SS316  
2PC, G2PQ11FV-2000-316, 9-F04/F05  
2000WOG, V-BALL, 50/50 316/PTFE SEAT, 10 NM