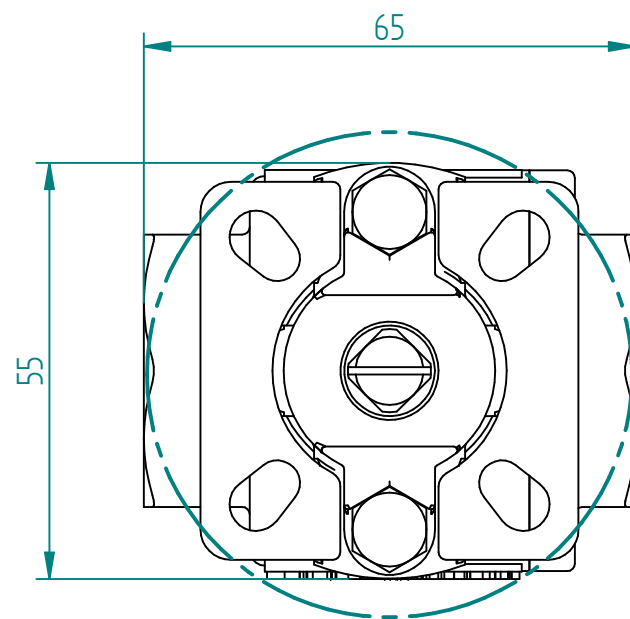
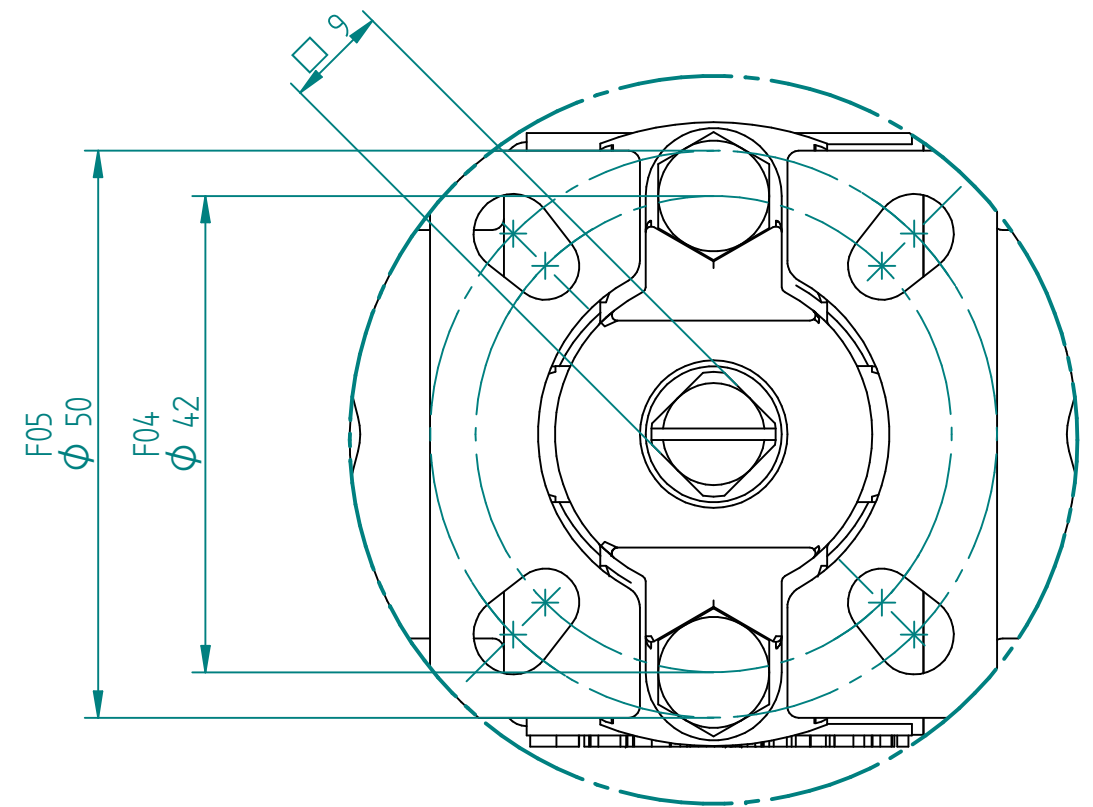
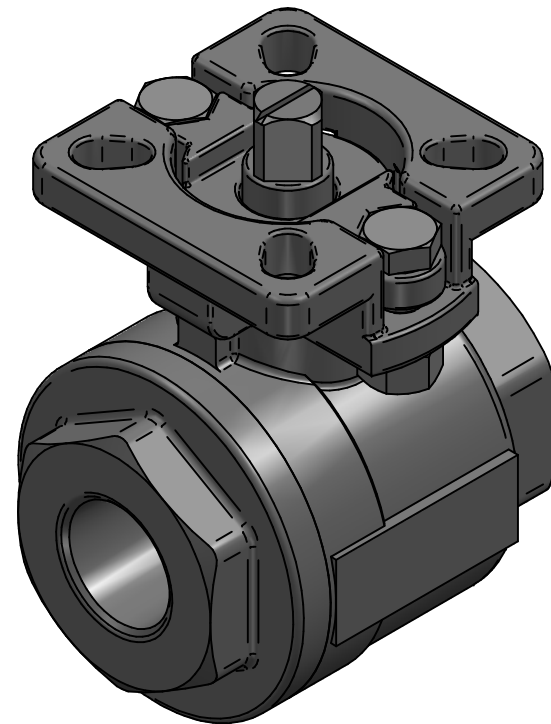


| POS | Item Number | Description |
|-----|-------------------|-------------------------|
| 1 | Body | ASTM A351 CF8M |
| 2 | Bonnet | ASTM A351 CF8M |
| 3 | Ball | Stainless steel (SS316) |
| 4 | Stem | Stainless steel (SS316) |
| 5 | Seat | 50% PTFE+SS316 |
| 6 | Washer | PTFE |
| 7 | Gasket | PTFE |
| 8 | Stem packing | PTFE |
| 9 | Ring | SS316 |
| 10 | Belleville washer | SS301 |
| 11 | Gland flange | CF8 |
| 12 | O-ring | Viton |



A



DETAIL A
ISO 5211 Mounting Pad



TITLE BALLVALVE V-PORT 15 DEG 1/2" BSP SS316
2PC, G2PQ11FV-2000-316, 9-F04/F05
2000WOG, V-BALL ,50/50 316/PTFE SEAT, MAX 10NM

| | NAME | DATE | SIZE | DWG NO |
|----------|------|------------|-----------------------------------|--------------------|
| DRAWN | RAGA | 10/20/2023 | A3 | YON-100-BSP15-0015 |
| CHECKED | TOCO | dd.mm.yyyy | FILE NAME: YON-100-BSP15-0015.dft | |
| ENG APPR | TOCO | dd.mm.yyyy | SCALE: 1:1 | REV: 1.0 |
| MGR APPR | TOCO | dd.mm.yyyy | WEIGHT: | SHEET: 1 OF 1 |

UNLESS OTHERWISE SPECIFIED DIMENSIONS ARE IN MILLIMETERS AND TOLERANCES ARE +/-0,5

| REV | DESCRIPTION | DATE | APPROVED |
|------------------|-------------|------|----------|
| REVISION HISTORY | | | |