







ALPHA-ACHEM Data Sheet

Product ID ALS400M2-202312

PRODUCT NAME
Flameproof Valve Monitor
MODEL NO.
ALS400M2
DESCRIPTION OF THE PRODUCT

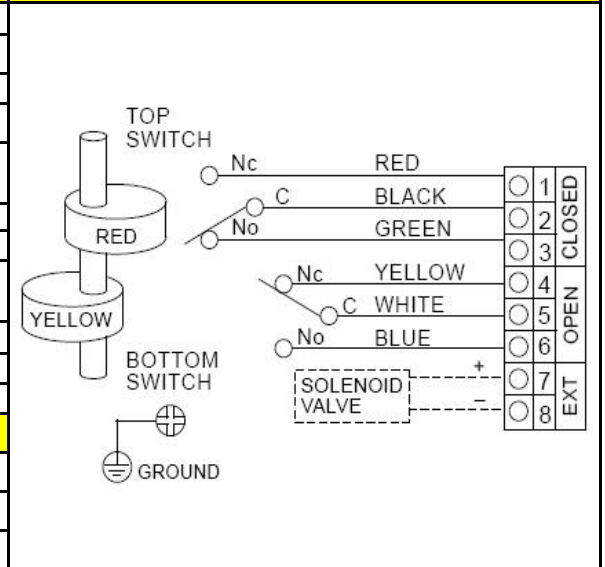
The ALS400M2 series flameproof valve monitor is a rotary position indication device in HAZARDOUS area(Ex d IIC T6). Armed with mechanical switch, this device can senses valve position (on/off) for remote PLC or PC indication. The visual indicator on the top of the device can also clearly display the valve position for local detection.

APPROVED BY
    **IP66**

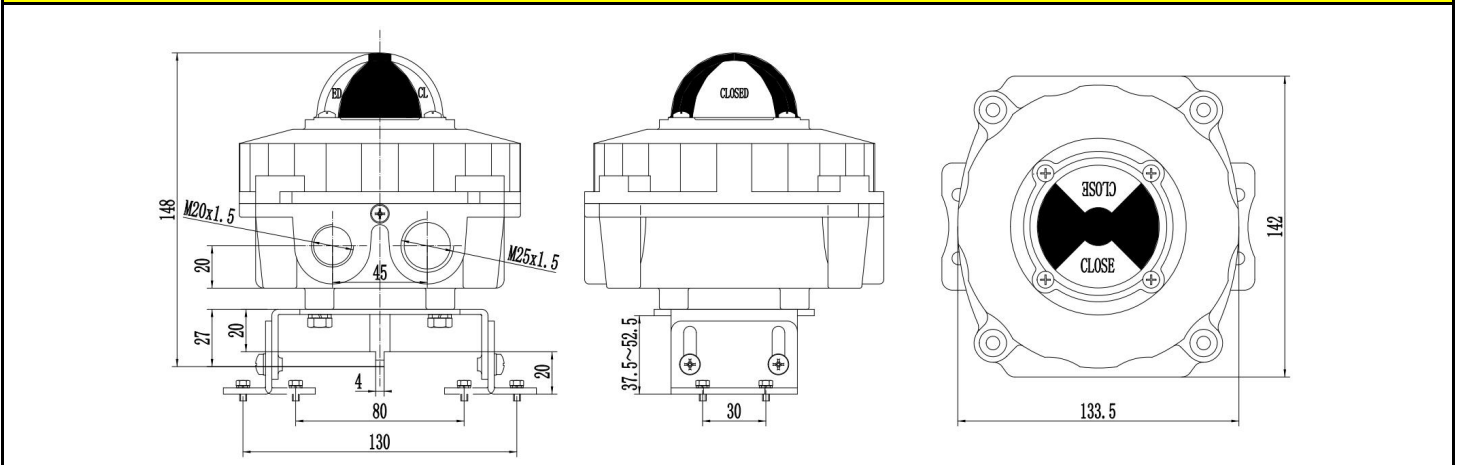


SPECIFICATIONS AND TECHNICAL DATA	
Enclosure	Die-casting aluminum: O-ring sealed
Coating	Dichromate conversion with polyester powder coating
O-rings	Buna N
Environment	IP66
Area Classification	ATEX, NEPSI: Ex d IIC T6, CSA Canada: Ex d IIC T6 Gb, CSA US: Class I Zone 1 AEx dIIC T6 Gb
Fasteners	Stainless steel
Shaft	Stainless steel Namur
Conduit Entries	M20x1.5 and M25x1.5
Terminal Strip Contacts	8
Mounting Bracket	MB-3.4: 30 x 80, 130 H:20, 30 (Stainless steel)
Ambient Temperature	-20°C-50°C
Sensor: 2 SPDT Honeywell Mechanical Switches	
Model No.	M2
Ambient Temperature	-20°C-50°C
Operating Voltage	Max: 16A, 125-250 VAC

WIRING DIAGRAM



DRAWING AND DIMENSION



Oslo 22 21 51 00 | Bergen 55 39 32 00 | Trondheim 90 75 72 91
 Larvik 33 19 29 15 | Arendal 37 06 11 40 | post@jsc.no | www.jsc.no