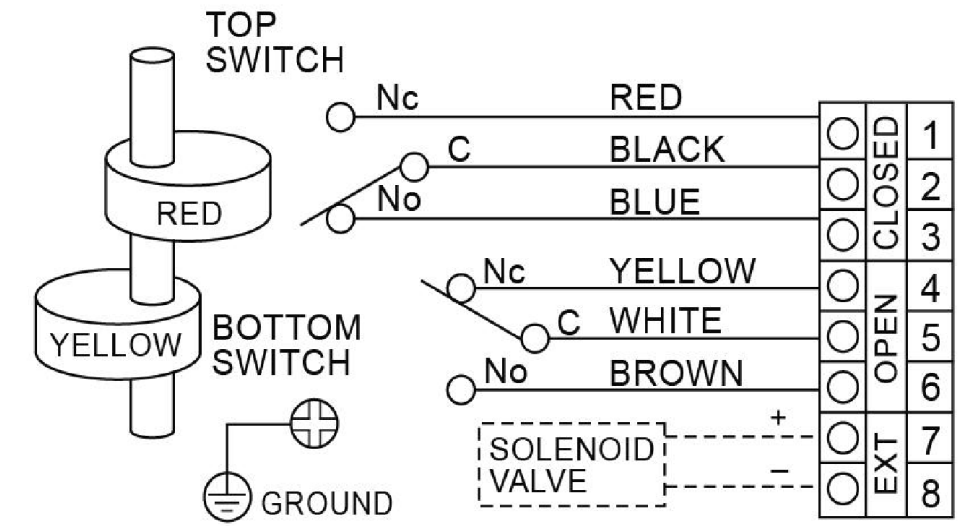
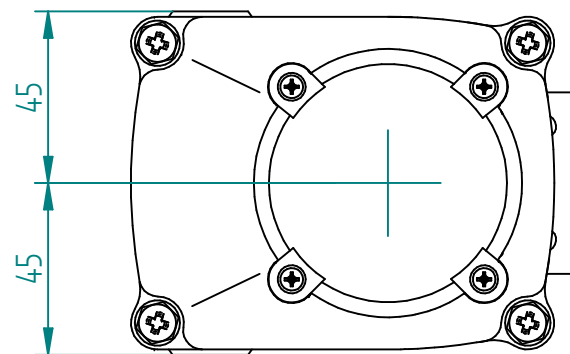
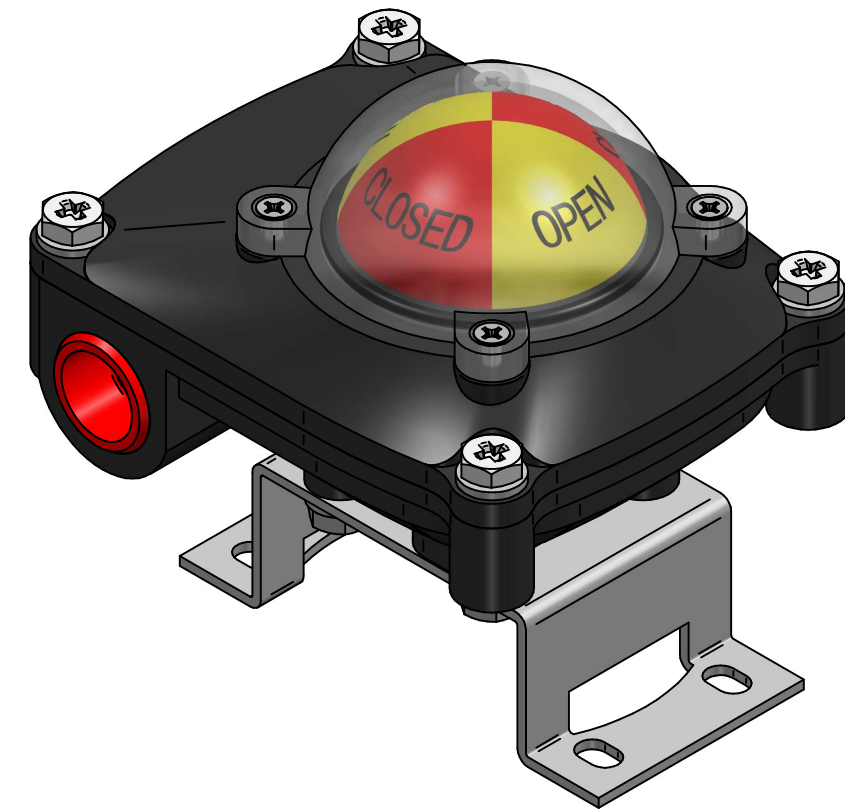


Adjustable bracket
NAMUR H20 and H30
30 x 80 or 30 x 130



15A, 125VAC~250VAC



TITLE SWITCHBOX ALU/EPOXY-COAT BODY
DOME TYPE OPEN/CLOSE INDICATOR 2XSPDT IP67
SS UNI.BRACKET/SHAFT/BOLTS 2XM20X1.5 COND.

	NAME	DATE	SIZE	DWG NO
DRAWN	EMLA	19.07.2024	A3	WWF-ALS210M2-15A-01
CHECKED	EMLA	19.07.2024	FILE NAME: WWF-ALS210M2-15A-01.dft	
ENG APPR			SCALE: 1:2	REV: 00
MGR APPR			WEIGHT: 0.7 kg	SHEET: 1 OF 1

UNLESS OTHERWISE SPECIFIED
DIMENSIONS ARE IN MILLIMETERS
AND TOLERANCES ARE +/-0,5

REV	DESCRIPTION	DATE	APPROVED
00	ISSUED	19.07.2024	EMLA
REVISION HISTORY			