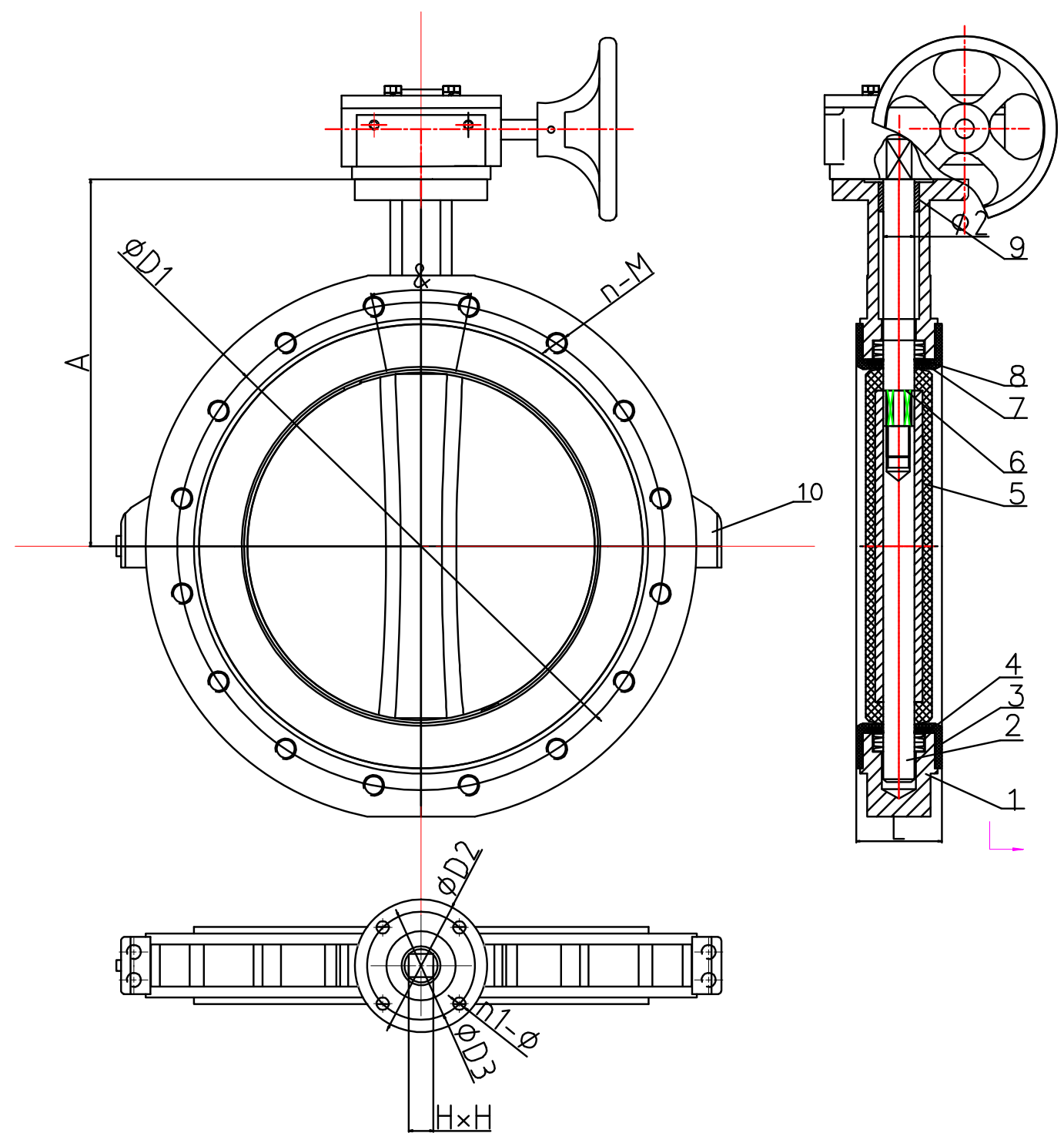



SIZE	A	ø2	L	HxH	ISO5211	D2	D3	n1-ø
DN250	273	28.45	68	22x22	F10	125	102	4-12
DN300	310	31.6	78	22x22	F10	125	102	4-12
DN350	346	31.6	78	22x22	F10	125	102	4-12



10	Bolt	SS304	4	
9	Bushing	PTFE	1	
8	Pressing Sleeve	Stainless Steel	2	
7	Seat Energizer	Silicone	2	
6	Up Shaft	SS431	1	
5	Disc	WCB+PTFE	1	
4	Butterfly Spring	Spring Steel	8	
3	Seat	PTFE	1	
2	Down Shaft	SS431	1	
1	Body	DI	2	
NO.	NAME	MATERIAL	QTY	
TEST PRESSURE	CWP:10Bar	SHELL		SEAL
	HYDROSTATIC	15 bar		
	AIR			6 bar
STANDARD	DESIGN CODE	EN593		
	INSPECTION & TEST	EN12266-1		
	END STANDARD	EN1092-2 PN10		
	FACE TO FACE	EN558-1		
TITLE: LUG BUTTERFLY VALVE DN250-DN350				
APPROVED		DWG NO.		REV
CHECKED				
DRAWN				
DESIGNED		SCALE	UNIT	mm

SIZE	D1	n-M	ø
DN250	350	12-M20	30
DN300	400	12-M20	30
DN350	460	16-M20	22.5

 TITLE LUG BUTTERFLY VALVE PN 10 DN250-DN350	DRAWN	MOTO	dd.mm.yyyy	SIZE <b>A3</b>	DWG NO WOD-110-003-DN250-DN300	UNLESS OTHERWISE SPECIFIED DIMENSIONS ARE IN MILLIMETERS AND TOLERANCES ARE +/-0,5	REV DESCRIPTION DATE APPROVED REVISION HISTORY
	CHECKED	TOCO	dd.mm.yyyy	FILE NAME:	WOD-110-003-DN250-DN300.pdf		
	ENG APPR	TOCO	dd.mm.yyyy	SCALE:	REV: .....		
	MGR APPR	TOCO	dd.mm.yyyy	WEIGHT:	SHEET: 1 OF 1		