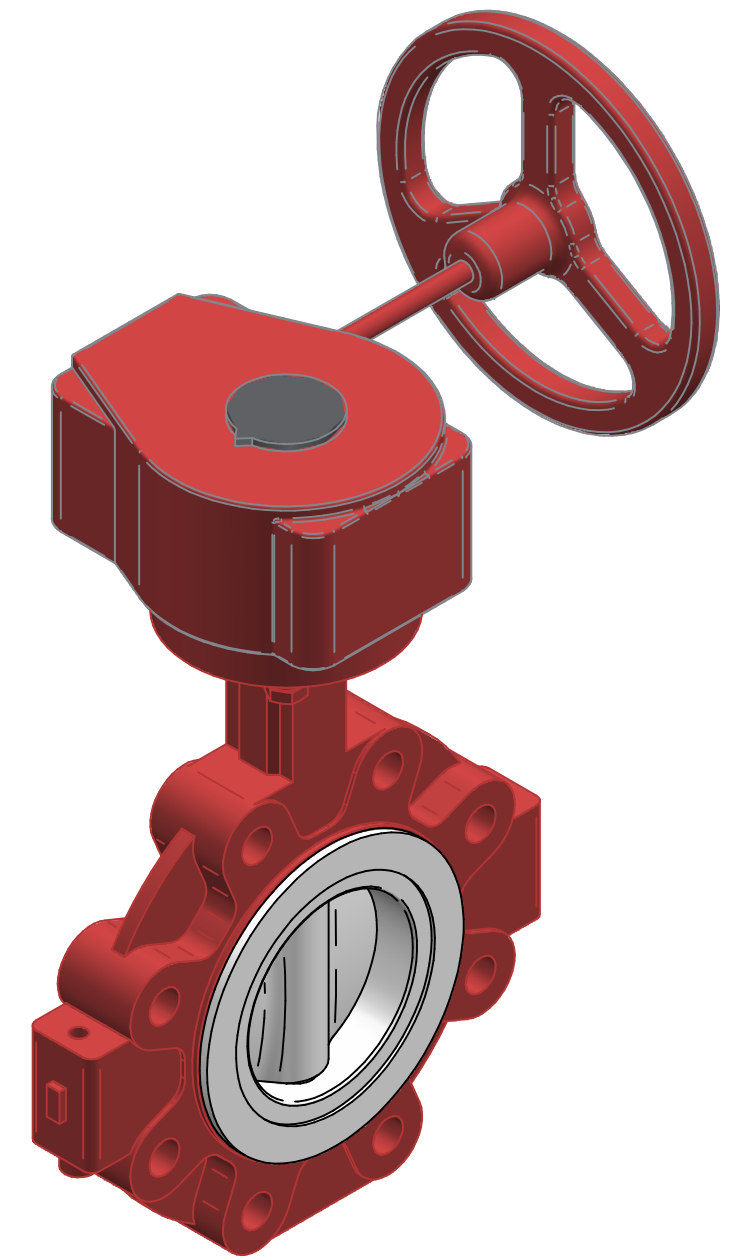


No.	Part Name	Material	QTY
1	Body	GGG40	2
2	Down Shaft	SS431	1
3	Seat	PTFE	1
4	Butterfly Spring	Spring Steel	8
5	Disc	PTFE+WCB	1
6	Up Shaft	SS431	1
7	Seat Energizer	Silicone	2
8	Pressure Sleeve	Stainless Steel	2
9	Bushing	PTFE	1
10	Bolt	SS316	2



TITLE BF-VALVE CBF04-TL01 DN80 16BAR PN10/16 LUG
 CONC. DI/WCB+PTFE/SS431/PTFE F05/07 SQR9X14
 WRAS W/IP65 WORM GEAR 40NM/10BAR

	NAME	DATE	SIZE	DWG NO
DRAWN	RAGA	11/17/2023	A3	WOD-110-003-0080
CHECKED	TOCO	dd.mm.yyyy	FILE NAME: WOD-110-003-0080.dft	
ENG APPR	TOCO	dd.mm.yyyy	SCALE: 1:3	REV: 01
MGR APPR	TOCO	dd.mm.yyyy	WEIGHT:	SHEET: 1 OF 1

UNLESS OTHERWISE SPECIFIED
 DIMENSIONS ARE IN MILLIMETERS
 AND TOLERANCES ARE +/-0,5

REV	DESCRIPTION	DATE	APPROVED
REVISION HISTORY			