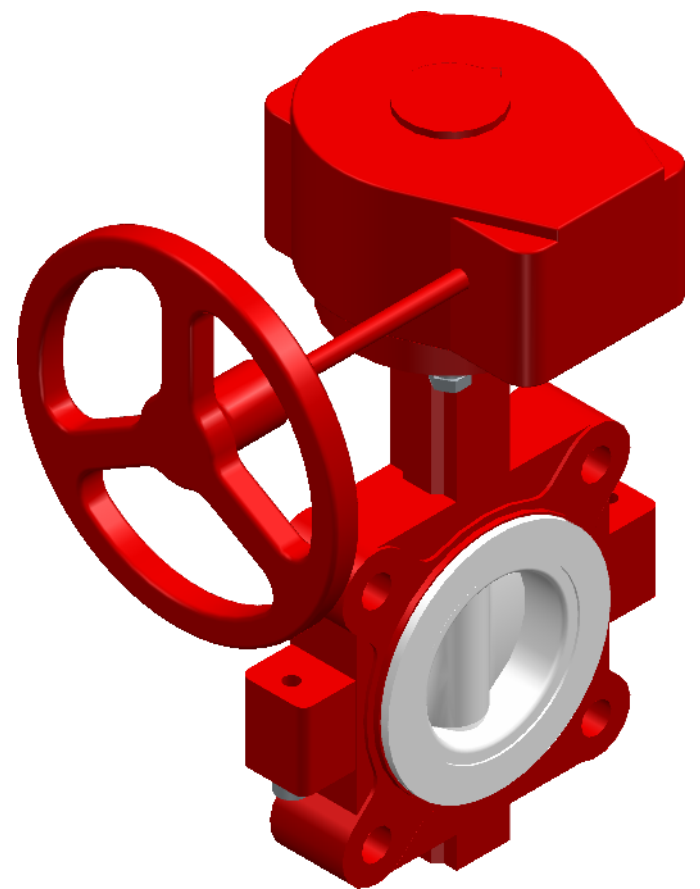
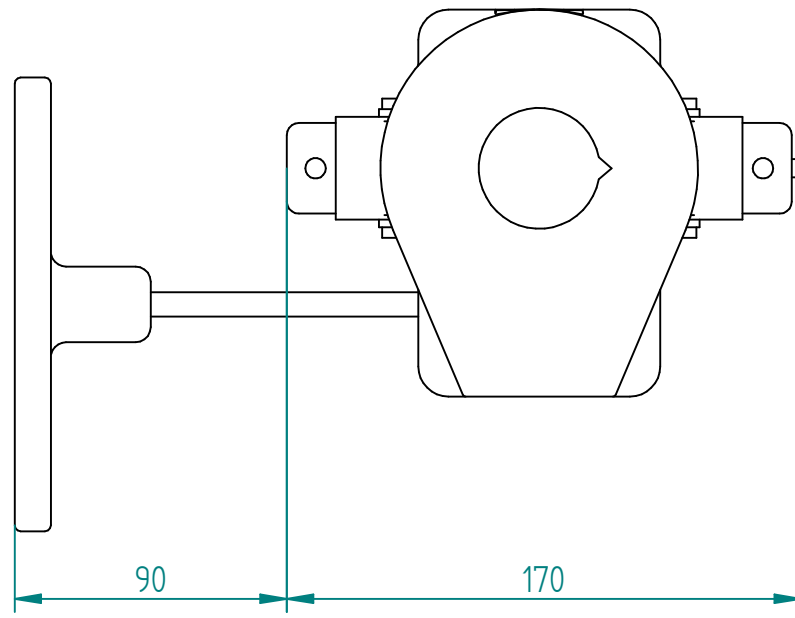


No.	Part Name	Material	QTY
1	Body	GGG40	2
2	Down Shaft	SS431	1
3	Seat	PTFE	1
4	Butterfly Spring	Spring Steel	8
5	Disc	PTFE+WCB	1
6	Up Shaft	SS431	1
7	Seat Energizer	Silicone	2
8	Pressure Sleeve	Stainless Steel	2
9	Bushing	PTFE	1
10	Bolt	SS316	2



		NAME	DATE	SIZE	DWG NO
DRAWN	RAGA	23.04.2024	<b>A3</b>	WOF-110-003-0065	
CHECKED	TOCO	dd.mm.yyyy	FILE NAME: WOD-110-003-0065.dft		
ENG APPR	TOCO	dd.mm.yyyy	SCALE: 1:2.5	REV: 01	
MGR APPR	TOCO	dd.mm.yyyy	WEIGHT:	SHEET: 1 OF 1	

TITLE BF-VALVE CBF04-TL01 DN65 16BAR PN10/16 LUG  
 CONC. DI/WCB+PTFE/SS431/PTFE F05/07 SQR9X14  
 WRAS W/IP65 WORM GEAR 30NM/10BAR

UNLESS OTHERWISE SPECIFIED  
 DIMENSIONS ARE IN MILLIMETERS  
 AND TOLERANCES ARE +/-0,5

REV	DESCRIPTION	DATE	APPROVED
01	Redone and issued	23.04.2024	RAGA
00	Created	N/A	N/A

REVISION HISTORY