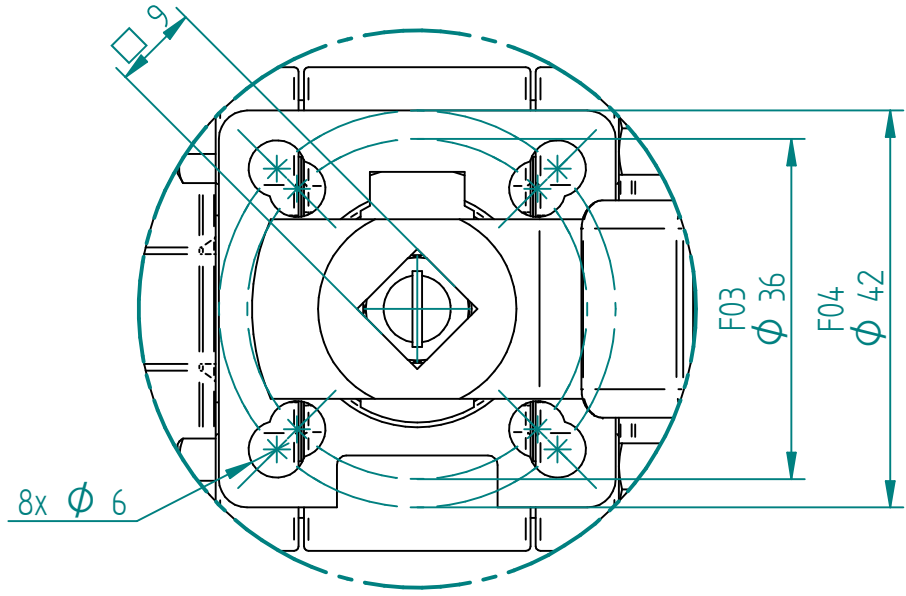
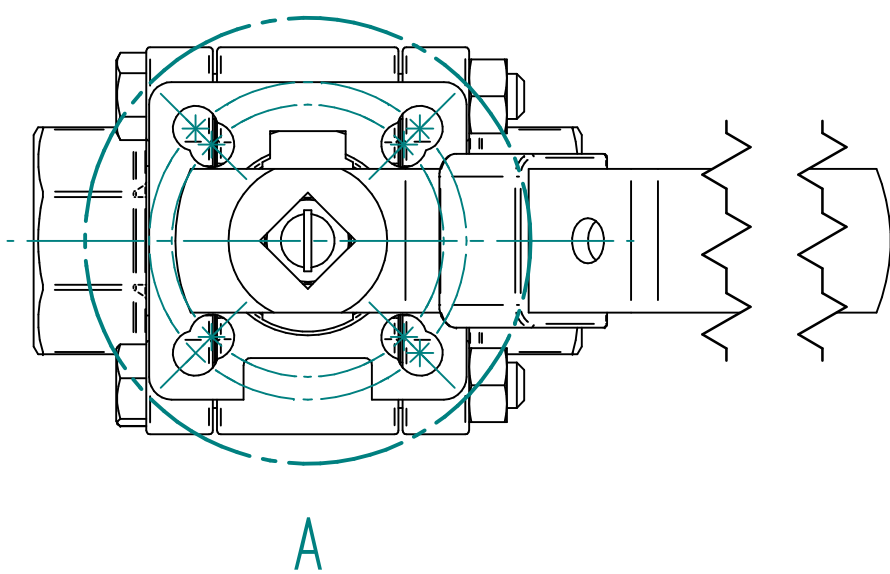
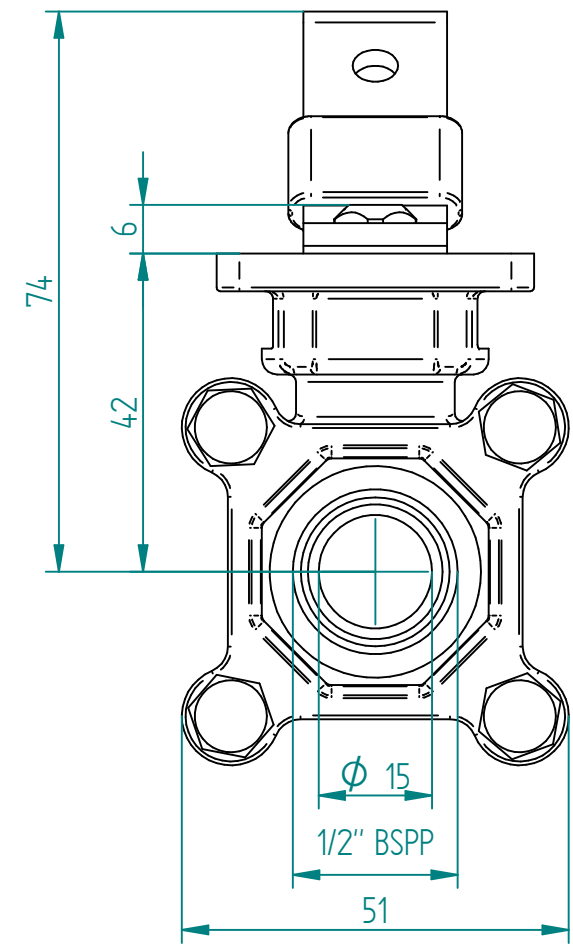
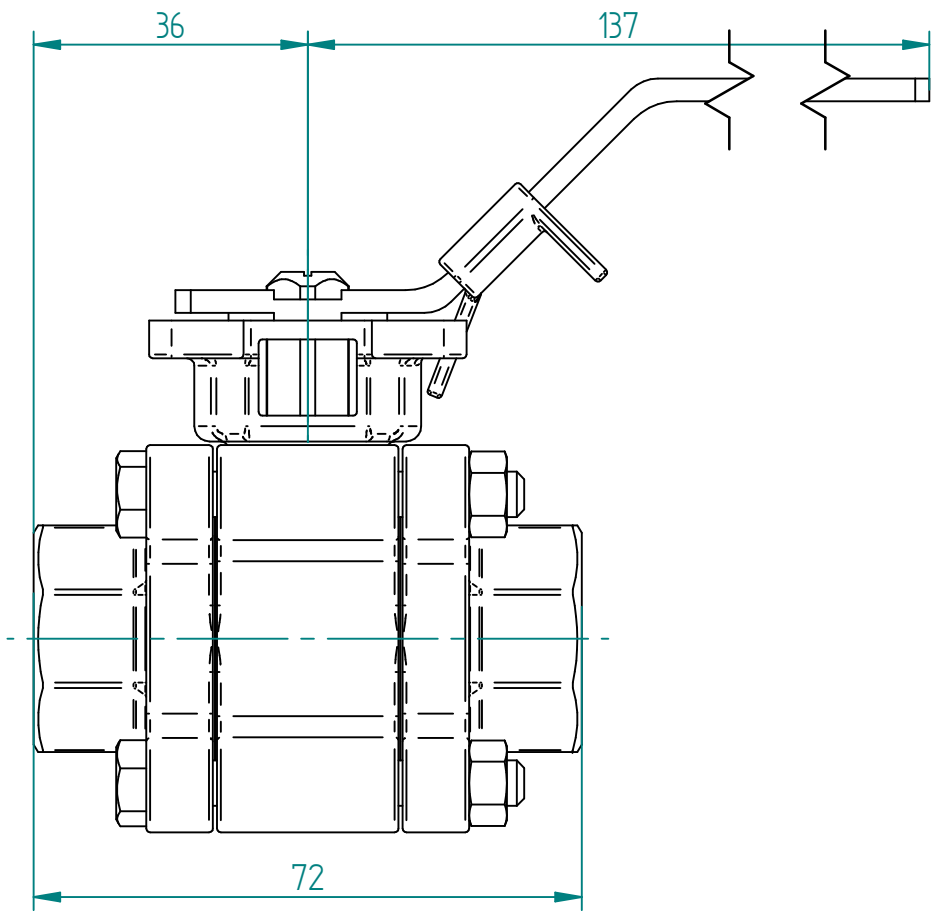
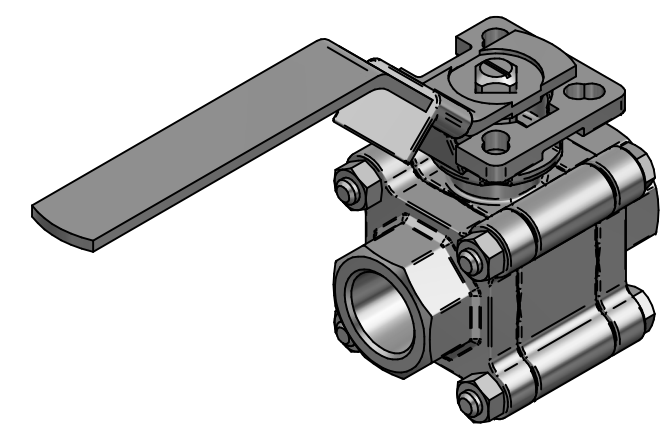



Pos	Part name	Material	QTY
1	Body	CF8M	1
2	End Cap	CF8M	2
3	Ball	SS316*	1
4	Seat	CTFE	2
5	Joint Gasket	Graphite	2
6	Thrust Washer	RTFE	1
7	Stem	SS316	1
8	Gland Packing	Graphite	1
8.1	Gland Packing	GLASS FIBER FILLED PTFE	1
9	Gland Bush	SS316	1
10	Stop Washer	SS316	1
11	Stem Nut	SS316	2
12	Handle	SS316	1
13	Handle Cover	Vinyl	1
14	Stem Washer	SS316	1
15	Bolt	SS316	4
16	Bolt Nut	SS316	4
17	Belleville Washer	S301	2
18	Stop Pin	SS316	1
19	Pin Nut	SS316	1
20	Locking Device	SS316	1
21	O-Ring	VITON	1
22	Washer	SS316	1
23	Anti-static Device	SS316	1

S600-1F DN8 - DN50
 * 1/4", 3/8" ~ CF8M
 1/2", 3/4", 1", 1 1/4", 1 1/2", 2" ~ SS316

KV	Torque (RPTFE)
13 m ³ /h	8 nm



DETAIL A

 TITLE 3PC BALL VALVE S600-1F 2000PSI 1/2" BSPP THREAD F-BORE FLOATING CF8M/CF8M/CTFE F03/04 SQR9 FIRESAFE ATEX-IIC W/HANDLE MAR88-1F	DRAWN	EMLA	04.01.2024	SIZE	A3	DWG NO	TRW-100-S600-1F-015
	CHECKED	EMLA	04.01.2024	FILE NAME:	TRW-100-S600-1F-015.dft		
	ENG APPR	TOCO	dd.mm.yyyy	SCALE:	1:1	REV:	00
	MGR APPR	TOCO	dd.mm.yyyy	WEIGHT:	0.82 kg	SHEET:	1 OF 1

UNLESS OTHERWISE SPECIFIED
 DIMENSIONS ARE IN MILLIMETERS
 AND TOLERANCES ARE +/-0,5

REV	DESCRIPTION	DATE	APPROVED
00	ISSUED	07.02.2024	JOB

REVISION HISTORY