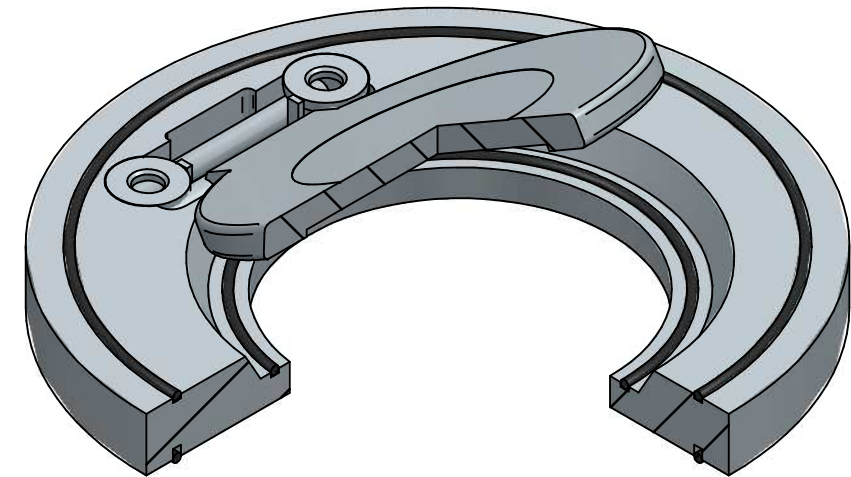
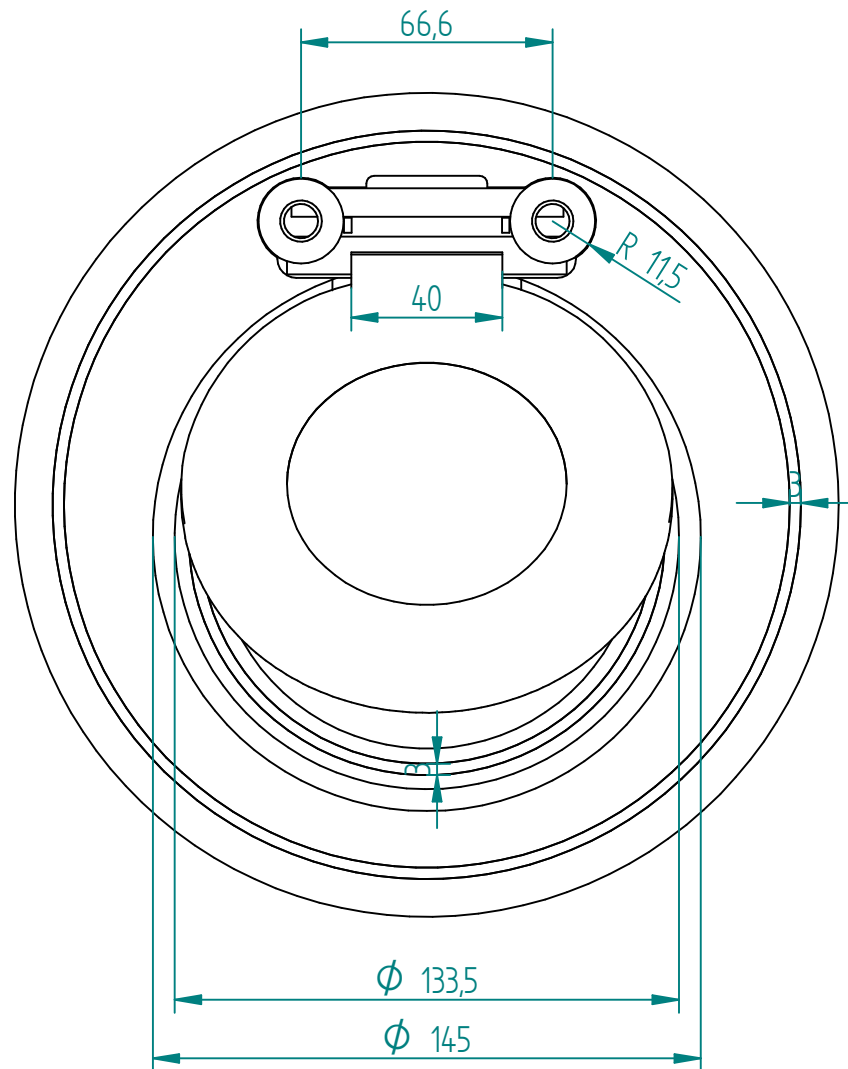


SECTION A-A



TITLE CHECK VALVE SWING TYPE SC6 DN150 AISI316/EPDM PN16 (WITH SPRING)		NAME	DATE	SIZE	DWG NO
	DRAWN	MOTO	26.05.2014	A3	RIZ00408
	CHECKED	TOCO	26.05.2014	FILE NAME: RIZ00408.dft	
	ENG APPR	TOCO	26.05.2014	SCALE: 1:2	REV:
	MGR APPR	TOCO	26.05.2014	WEIGHT:	SHEET: 1 OF 1

UNLESS OTHERWISE SPECIFIED DIMENSIONS ARE IN MILLIMETERS AND TOLERANCES ARE +/-0,5

REV	DESCRIPTION	DATE	APPROVED
REVISION HISTORY			