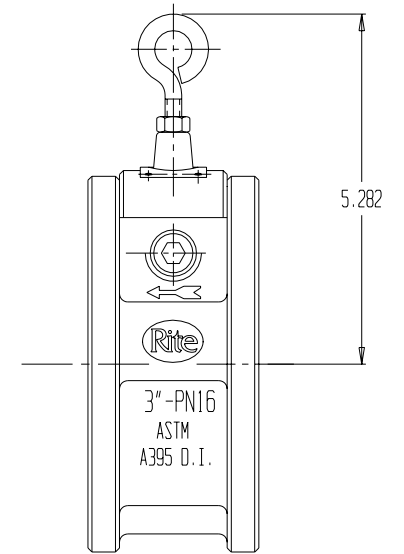
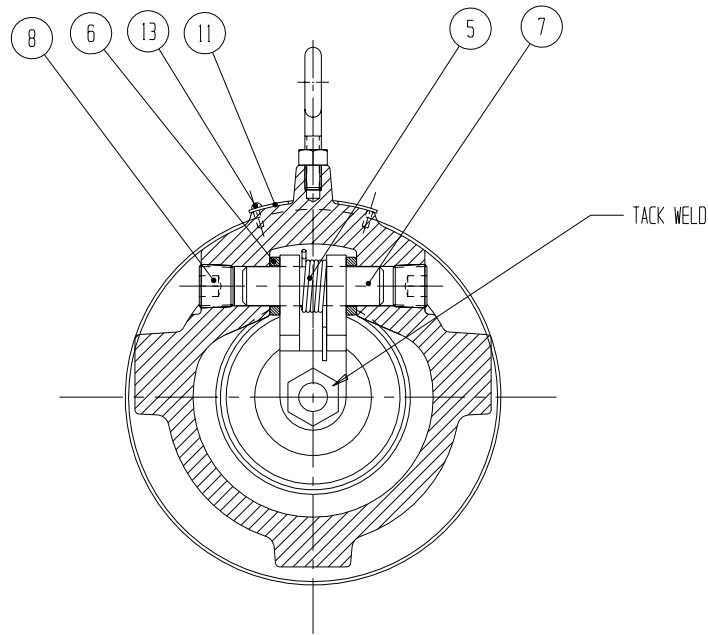
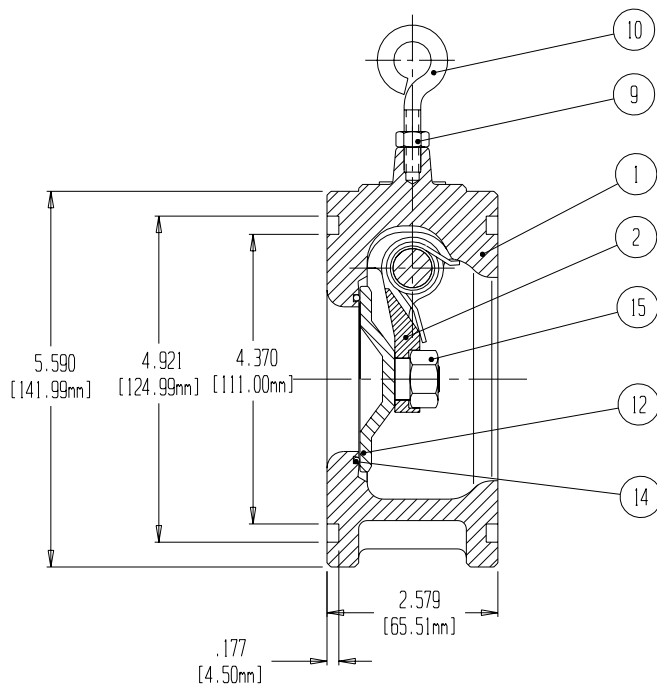


| REVISIONS | | | | |
|-----------|-----|-------------|------|----------|
| REV | ECN | DESCRIPTION | DATE | APPROVED |
| | | | | |



| ITEM | DESCRIPTION | MATERIAL | ITEM | DESCRIPTION | MATERIAL |
|------|-------------|----------------|------|-------------|-----------------|
| 1 | BODY | ASTM A395 D.I. | 10 | EYE BOLT | STEEL Z.P. |
| 2 | HINGE | ASTM A351-CF8M | 11 | NAME PLATE | ALUMINIUM |
| 5 | SPRING | ASTM A313-316 | 12 | DISC | ASTM A351 CF8M |
| 6 | SPACER | ASTM A479-316 | 13 | RIVET | STEEL C.P. |
| 7 | PIN | ASTM A479-316 | 14 | O-RING | TEFLON |
| 8 | PLUG | STEEL | 15 | DISC NUT | STAINLESS STEEL |
| 9 | LOCK NUT | STEEL Z.P. | | | |

Rated 16 barg @ 20 deg. C.
 CODE OF VALVE : V0316D371SOCE

| | | | |
|---|-------------------------|---------------------------|-------------------------------|
| <small>RITEPRO CORPORATION RESERVES ALL MANUFACTURING, REPRODUCTION, AND PATENT RIGHTS ON THIS DEVICE. THIS DRAWING IS SUPPLIED CONFIDENTIALLY.</small> | | | |
| VALVE ASSEMBLY | | | |
| <small>DRAWN: E. BROWN</small> <small>CHECKED: A. H.</small> <small>APPROVED: A. H.</small> | <small>30-11-09</small> | <small>SIZE: 3"</small> | <small>CLASS: PN16</small> |
| <small>ENG NO: 14742</small> | <small>REV: 0</small> | <small>SCALE: 1:1</small> | <small>DATE: 30-11-09</small> |