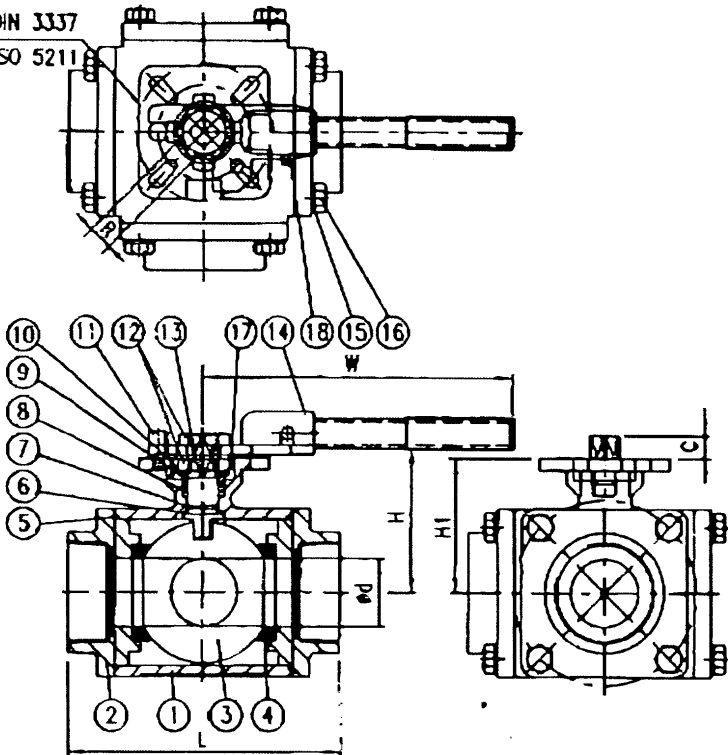


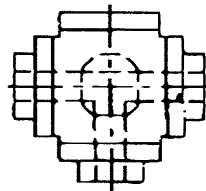
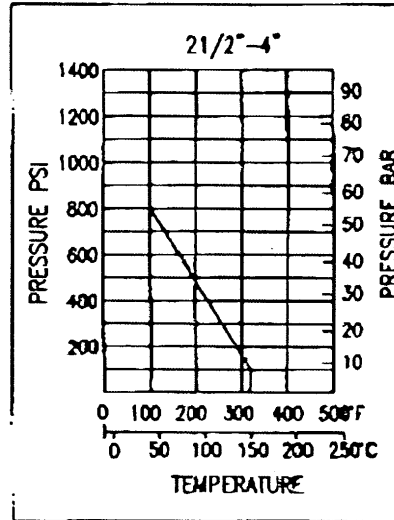
DIN 3337
ISO 5211



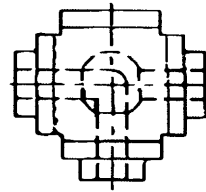
SERIES: Y40HA
FOUR PIECE THREE WAY MULTI-PORT 1000 WOG
INDUSTRIAL BALL VALVE SCREWED END F/F/F
FEATURES:

- *BLOW-OUT PROOF STEM SOLID BALL
- *HANDLE WITH LOCKING DEVICE
- *STANDARD BORE
- *INVESTMENT CAST STAINLESS STEEL OR CARBON STEEL
- *PIPE THREAD IN ACCORDANCE WITH BS21
1973.DIN 259/2999 NPT
- *BALL: T-PORT AND L-PORT
- *LONG-NECK ISO 5211 MOUNTING PAD ENABLES TO INSTALL ACTUATOR DIRECTLY
- *SIZE: AVAILABLE FROM 2-1/2" ~ 4"

□ PRESSURE TEMPERATURE RATING



T PORT



L PORT

□ MATERIAL OF CONSTRUCTION

ITEM	PARTS	MATERIAL		Qty
1	BODY	A351-CF8M	A216-WCB	1
2	CAP	A351-CF8M	A216-WCB	4
3	BALL	A351-CF8M	AISI 316	1
4	SEAT	PTFE	PTFE	4
5	GASKET	PTFE	PTFE	2
6	THRUST WASHER	PTFE	PTFE	1
7	O-RING	VITON	VITON	1
8	STEM PACKING	PTFE	PTFE	1
9	RING	AISI 304	AISI 304	1
10	BEVEL WASHER	AISI 301	AISI 301	2
11	STOP PIN	AISI 316	AISI 316	1
12	NUT	AISI 304	AISI 304	2
13	STEM	AISI 316	AISI 316	1
14	HANDLE	AISI 304	AISI 304	1
15	SPRING WASHER	AISI 304	AISI 304	16
16	BOLT	AISI 304	AISI 304	16
17	NUT	AISI 304	AISI 304	1

□ DIMENSION (M.M.)

SIZE	DN	ISO-5211	W	H	H1	C	R	L	ϕd	TOOL IN/LBS
2-1/2"	65	F07/F10	370	110	100	17	17	217	50.8	530
3"	80	F10/F12	400	134	125.5	23	22	252	65.4	938
4"	100	F10/F12	400	140	132.5	23	22	282	80	1297

90.03.25		M.M.		Y40HA
90.03.25				
90.03.26				
				Y40HA000
		1:2		

Oslo ☎ 22 21 51 00 | Bergen ☎ 55 39 32 00 | Arendal ☎ 37 06 11 40

✉ post@jsc.no | 🌐 www.jsc.no

