

Preparation of compressed air → Maintenance units and components

Filter pressure regulator, Series NL2-FRE

▶ G 1/8 - G 3/8 ▶ filter porosity: 5 µm ▶ ATEX certified



00106912

ATEX	II 2G2D X
Maintenance Unit	2-in-1, Can be assembled into blocks
Parts	Filter, Pressure controller
Regulator type	Diaphragm-type pressure regulator
Regulator function	with relieving air exhaust
Pressure supply	single
Installation location	vertical
Nominal flow Q _n	1500 l/min
Ambient temperature min./max.	-10 °C / +60 °C
Medium temperature min./max.	-10 °C / +60 °C
Working pressure min./max.	1.5 bar / 16 bar
Adjustment range min./max.	0.5 bar / 10 bar
Medium	Compressed air
Filter element	exchangeable
Filter reservoir volume	25 cm ³
Condensate drain	See table below
Materials:	
Housing	Die cast zinc
Cover	Acrylonitrile butadiene styrene
Seal	Acrylonitrile Butadiene Rubber
Filter insert	Polyethylene

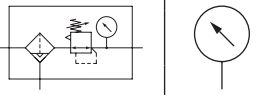
Technical Remarks

- The pressure dew point must be at least 15 °C under ambient and medium temperature and may not exceed 3 °C.
- max. particle count as per ISO 8573-4 at the outlet: 5 mg/m³

Preparation of compressed air → Maintenance units and components

Filter pressure regulator, Series NL2-FRE

► G 1/8 - G 3/8 ► filter porosity: 5 µm ► ATEX certified

		Port	Condensate drain	Note	Weight [kg]	Part No.
		G 1/8	semi-automatic, open without pressure	1)	0.542	0821300320
		G 1/8	semi-automatic, open without pressure	1); 3)	0.583	0821300321
		G 1/8	semi-automatic, open without pressure	2)	0.717	0821300322
		G 1/8	fully automatic, open without pressure	1)	0.57	0821300323
		G 1/8	fully automatic, open without pressure	1); 3)	0.612	0821300324
		G 1/8	fully automatic, open without pressure	2)	0.749	0821300325
		G 1/4	semi-automatic, open without pressure	1)	0.542	0821300300
		G 1/4	semi-automatic, open without pressure	1); 3)	0.542	0821300301
		G 1/4	semi-automatic, open without pressure	2)	0.717	0821300302
		G 1/4	fully automatic, open without pressure	1)	0.57	0821300303
		G 1/4	fully automatic, open without pressure	1); 3)	0.612	0821300304
		G 1/4	fully automatic, open without pressure	2)	0.749	0821300305
		G 3/8	semi-automatic, open without pressure	1)	0.542	0821300330
		G 3/8	semi-automatic, open without pressure	1); 3)	0.583	0821300331
		G 3/8	semi-automatic, open without pressure	2)	0.717	0821300332
		G 3/8	fully automatic, open without pressure	1)	0.57	0821300333
		G 3/8	fully automatic, open without pressure	1); 3)	0.612	0821300334
		G 3/8	fully automatic, open without pressure	2)	0.749	0821300335

nominal flow Qn with secondary pressure 6 bar at $\Delta p = 1$ bar

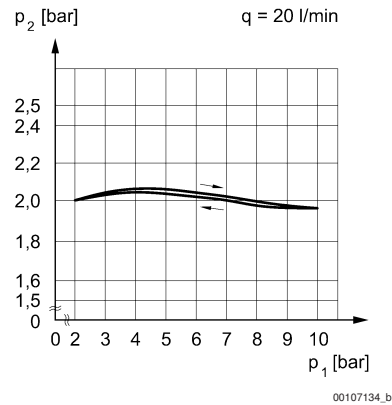
Metal protective guard can be retrofitted for all polycarbonate reservoirs

1) Reservoir: Polycarbonate

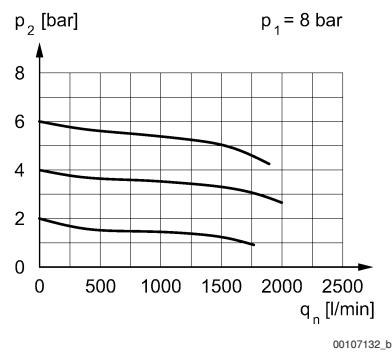
2) Reservoir: metal with window

3) Protective guard: Steel

Preparation of compressed air → Maintenance units and components

Filter pressure regulator, Series NL2-FRE▶ G 1/8 - G 3/8 ▶ filter porosity: 5 μm ▶ ATEX certified**Pressure characteristics curve**

p_1 = working pressure; p_2 = secondary pressure; q = flow rate

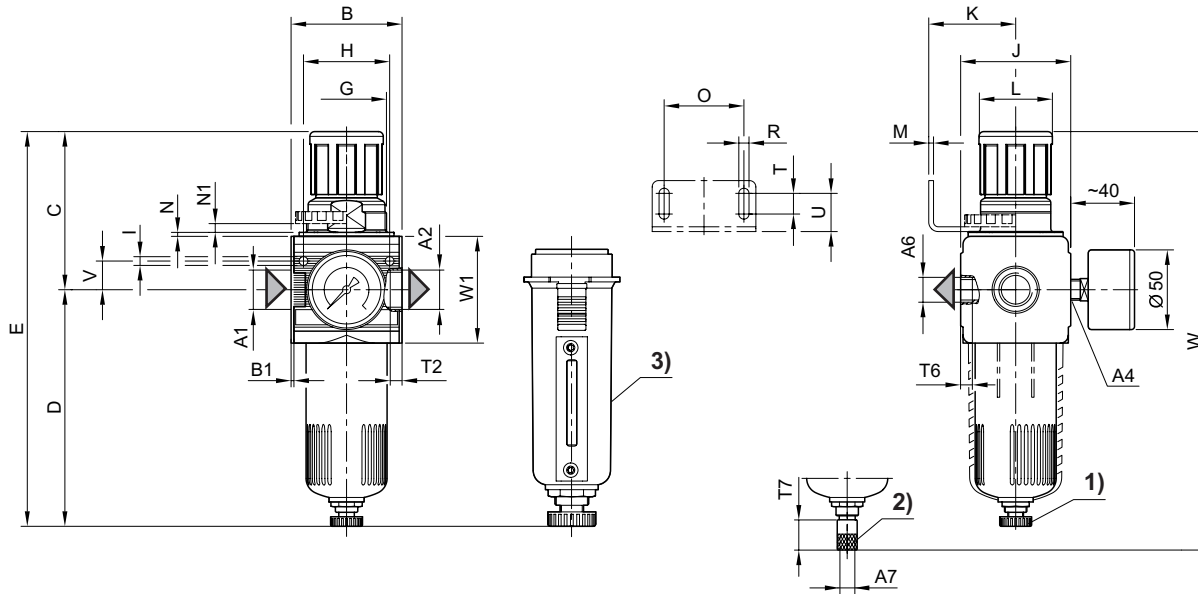
Flow rate characteristic

p_1 = working pressure; p_2 = secondary pressure; q_n = nominal flow

Preparation of compressed air → Maintenance units and components

Filter pressure regulator, Series NL2-FRE

▶ G 1/8 - G 3/8 ▶ filter porosity: 5 µm ▶ ATEX certified

Dimensions

00108136

- 1) semi-automatic condensate drain
 2) fully automatic condensate drain
 3) Metal reservoir

A1	A2	A4	A6	A7	B	B1	C	D	E	G	H	I	J
G 1/8	G 1/8	G 1/4	G 1/4	G 1/8	48	1.5	71	124.5	191	M30x1,5	36	4.4	47
G 1/4	G 1/4	G 1/4	G 1/4	G 1/8	48	1.5	71	124.5	191	M30x1,5	36	4.4	47
G 3/8	G 3/8	G 1/4	G 1/4	G 1/8	48	1.5	71	124.5	191	M30x1,5	36	4.4	47
A1	K	L	M	N	N1	O	R	T	T2	T6	T7	U	V
G 1/8	43.5	28	3	3.5	3	38	5.4	8	9.5	7	8.5	18.5	12.3
G 1/4	43.5	28	3	3.5	3	38	5.4	8	9.5	7	8.5	18.5	12.3
G 3/8	43.5	28	3	3.5	3	38	5.4	8	9.5	7	8.5	18.5	12.3
A1	W	W1											
G 1/8	217.5	52											
G 1/4	217.5	52											
G 3/8	217.5	52											