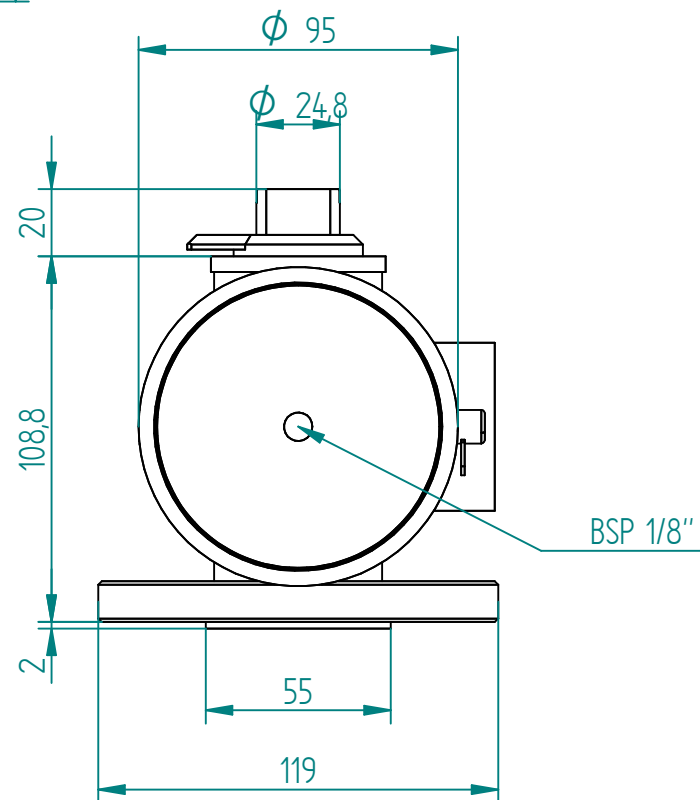
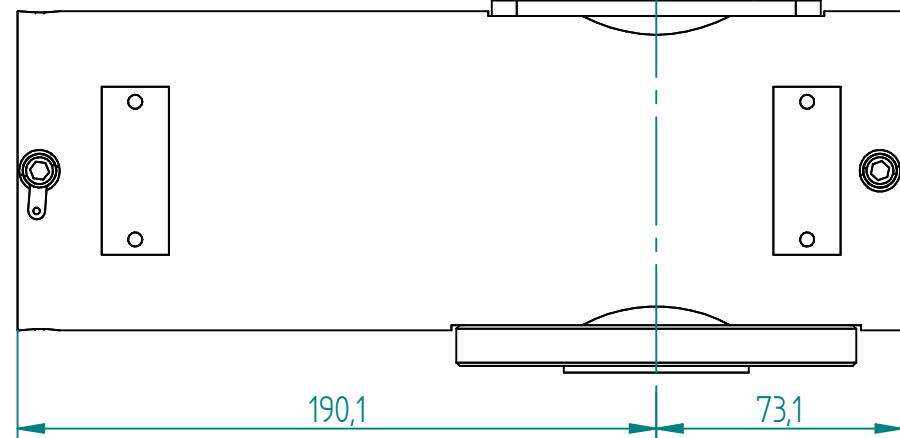
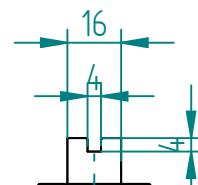
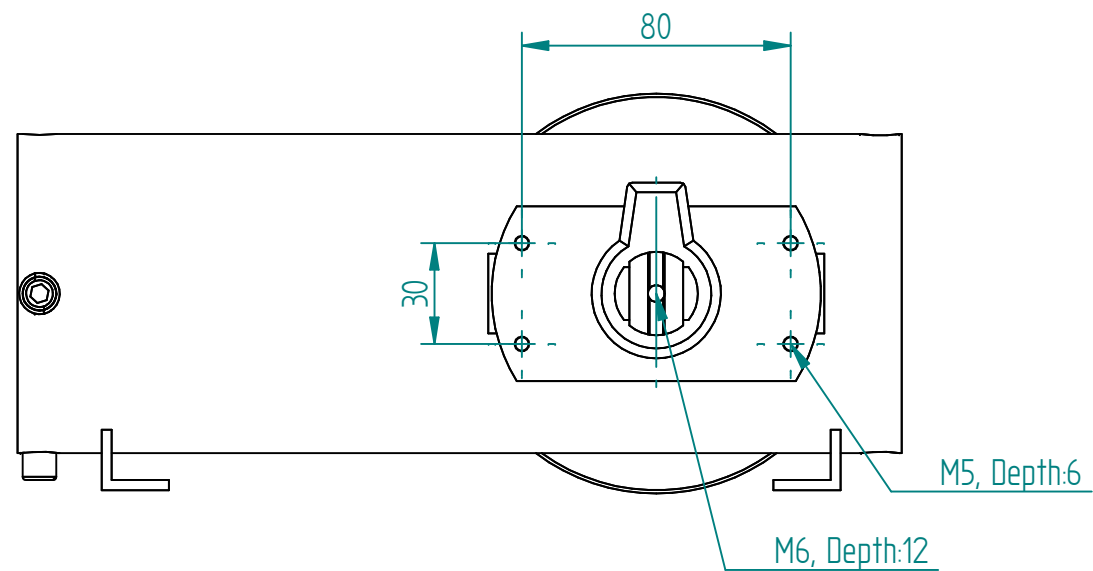


M10, Depth:17

M8, Depth:13

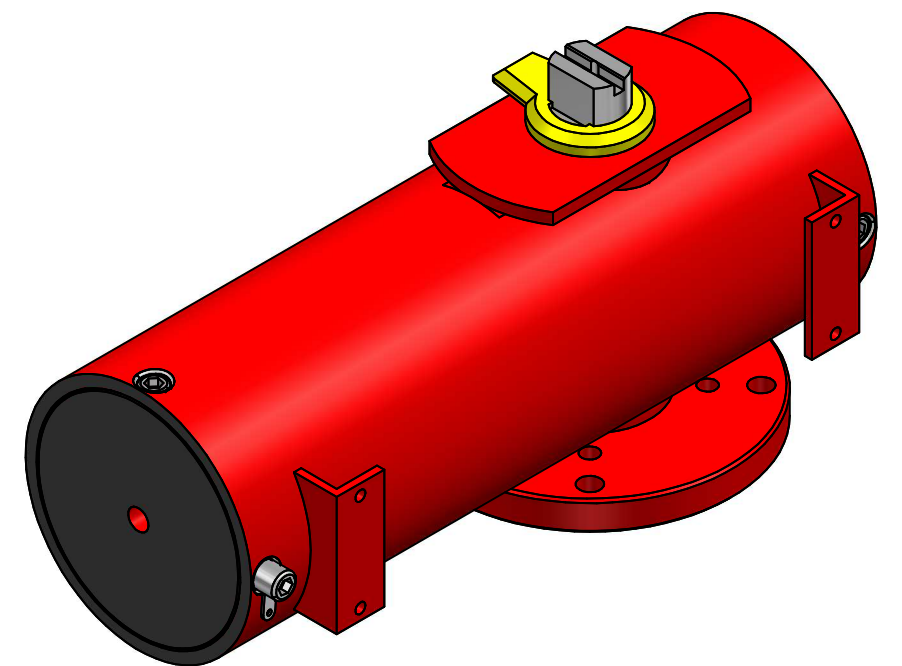


BSP 1/8"



M5, Depth:6

M6, Depth:12



TITLE PNEUMATIC ACTUATOR RCC230SR
F07 | F10 | SQR 17

| | NAME | DATE | SIZE | DWG NO |
|----------|------|------------|-------------------------|---------------|
| DRAWN | MOTO | 06.11.2014 | A3 | REM92350 |
| CHECKED | TOCO | 06.11.2014 | FILE NAME: REM92350.dft | |
| ENG APPR | TOCO | 06.11.2014 | SCALE: 1:2,25 | REV: |
| MGR APPR | TOCO | 06.11.2014 | WEIGHT: | SHEET: 1 OF 1 |

UNLESS OTHERWISE SPECIFIED DIMENSIONS ARE IN MILLIMETERS AND TOLERANCES ARE +/-0,5

| REV | DESCRIPTION | DATE | APPROVED |
|------------------|-------------|------|----------|
| REVISION HISTORY | | | |