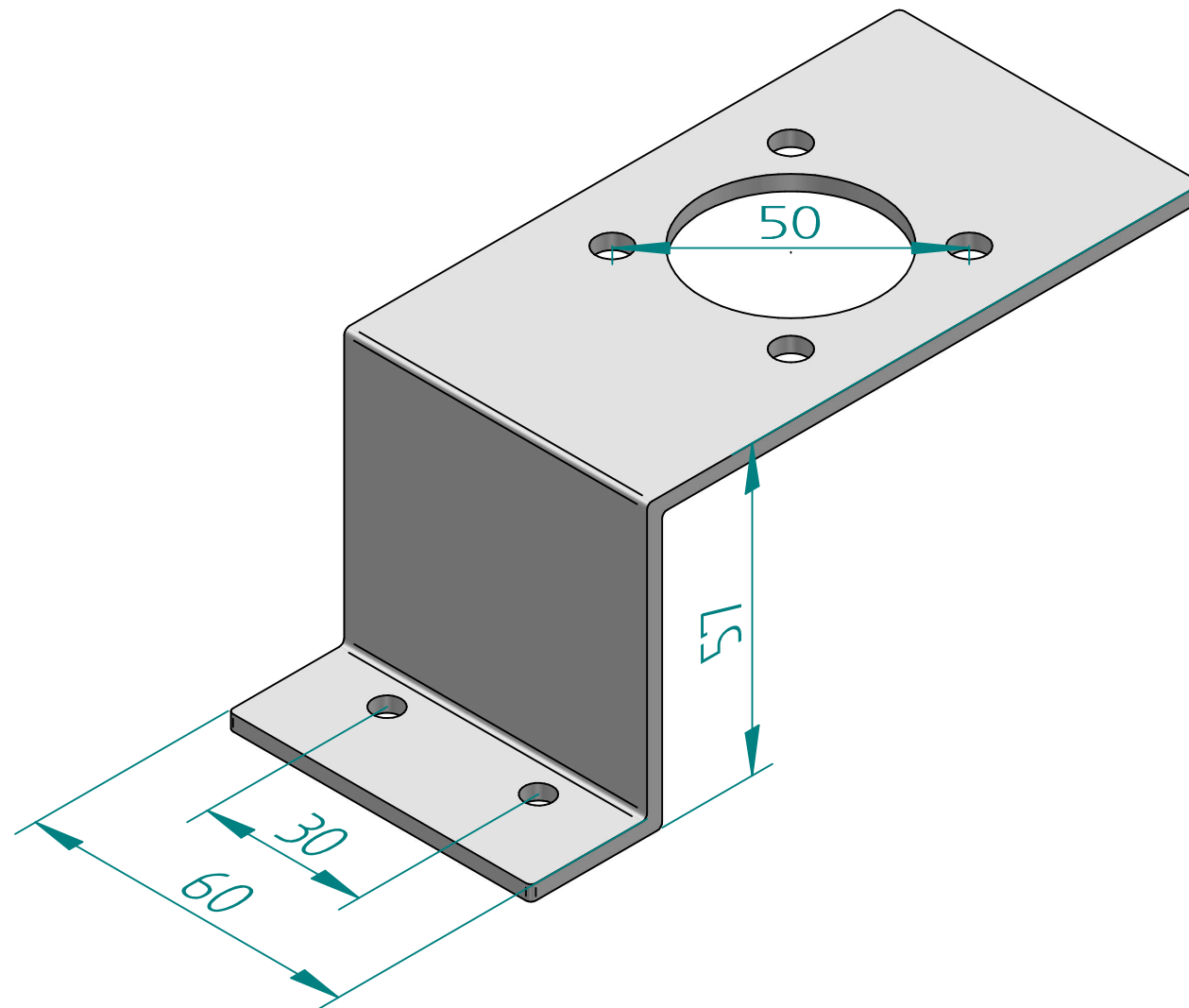


TITLE BRACKET NAMUR 80 X 30 X 45 270/280 F05	DRAWN	MOTO	02.07.2018	SIZE	A3	DWG NO	REM02003C
	CHECKED	TOCO	dd.mm.yyyy	FILE NAME: REM02003C.dft			UNLESS OTHERWISE SPECIFIED DIMENSIONS ARE IN MILLIMETERS AND TOLERANCES ARE +/-0,5
	ENG APPR	TOCO	dd.mm.yyyy	SCALE: 1:1	REV:		
	MGR APPR	TOCO	dd.mm.yyyy	WEIGHT:	SHEET: 1 OF 2		

REV	DESCRIPTION	DATE	APPROVED
REVISION HISTORY			



TITLE BRACKET NAMUR 80 X 30 X 45 270/280 F05		NAME	DATE	SIZE	DWG NO	UNLESS OTHERWISE SPECIFIED DIMENSIONS ARE IN MILLIMETERS AND TOLERANCES ARE +/-0,5
	DRAWN	MOTO	02.07.2018	A3	REM02003C	
	CHECKED	TOCO	dd.mm.yyyy	FILE NAME: REM02003C.dft		
	ENG APPR	TOCO	dd.mm.yyyy	SCALE: 1:1	REV:	
	MGR APPR	TOCO	dd.mm.yyyy	WEIGHT:	SHEET: 2 OF 2	

REV	DESCRIPTION	DATE	APPROVED
REVISION HISTORY			