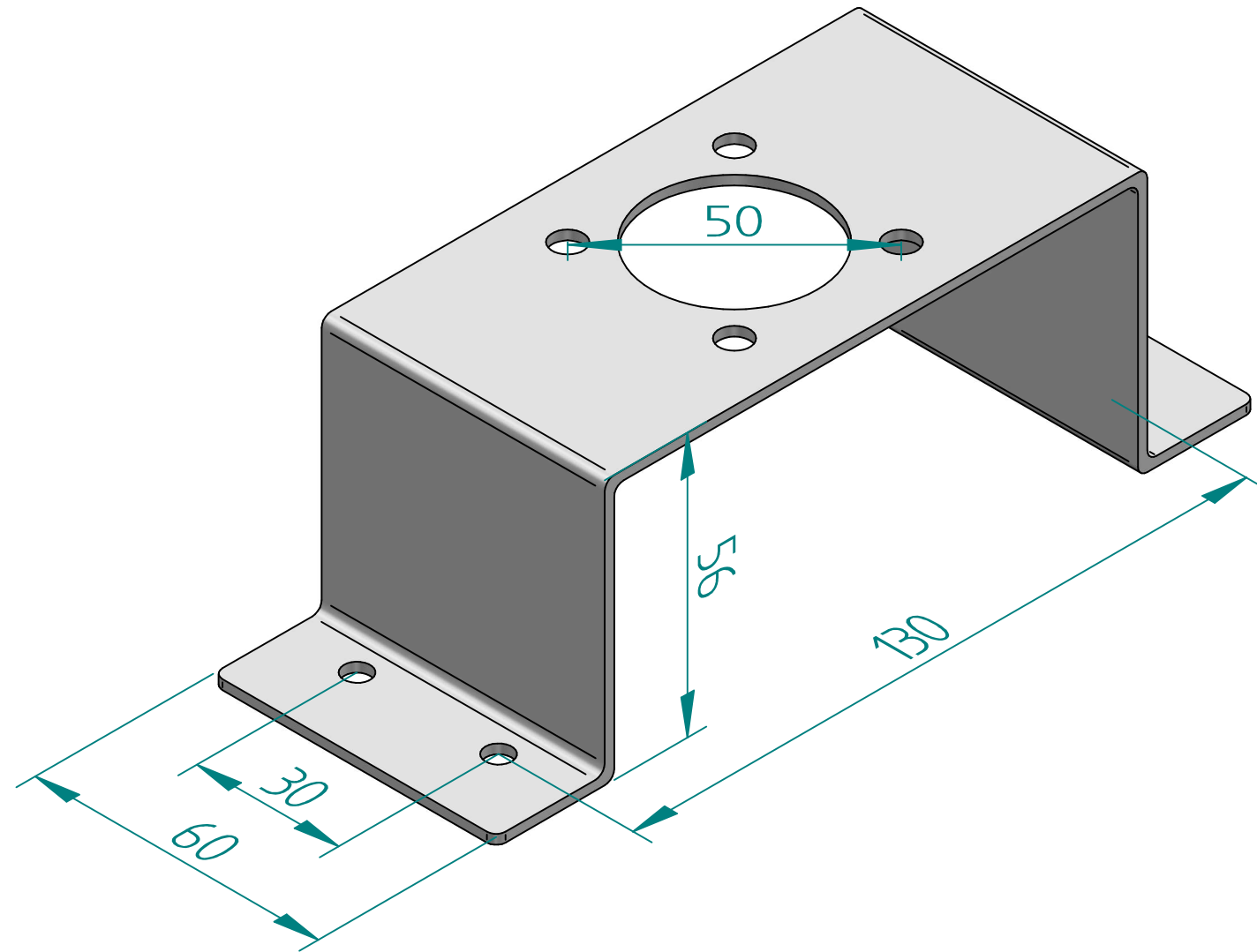


TITLE BRACKET NAMUR 130 X 30 X 56   F05		NAME	DATE	SIZE	DWG NO	UNLESS OTHERWISE SPECIFIED DIMENSIONS ARE IN MILLIMETERS AND TOLERANCES ARE +/-0,5
	DRAWN	MOTO	09.12.2014	A3	REM02003	
	CHECKED	TOCO	09.12.2014	FILE NAME: REM02003.dft		
	ENG APPR	TOCO	09.12.2014	SCALE: 1:1,25	REV: .....	
	MGR APPR	TOCO	09.12.2014	WEIGHT:	SHEET: 1 OF 2	

REV	DESCRIPTION	DATE	APPROVED
REVISION HISTORY			



TITLE BRACKET NAMUR 130 X 30 X 56   F05		NAME	DATE	SIZE	DWG NO	UNLESS OTHERWISE SPECIFIED DIMENSIONS ARE IN MILLIMETERS AND TOLERANCES ARE +/-0,5
	DRAWN	MOTO	25.07.2018	A3	REM02003	
	CHECKED	TOCO	25.07.2018	FILE NAME: REM02003.dft		
	ENG APPR	TOCO	25.07.2018	SCALE: 1:1	REV: .....	
	MGR APPR	TOCO	25.07.2018	WEIGHT:	SHEET: 2 OF 2	

REV	DESCRIPTION	DATE	APPROVED
REVISION HISTORY			