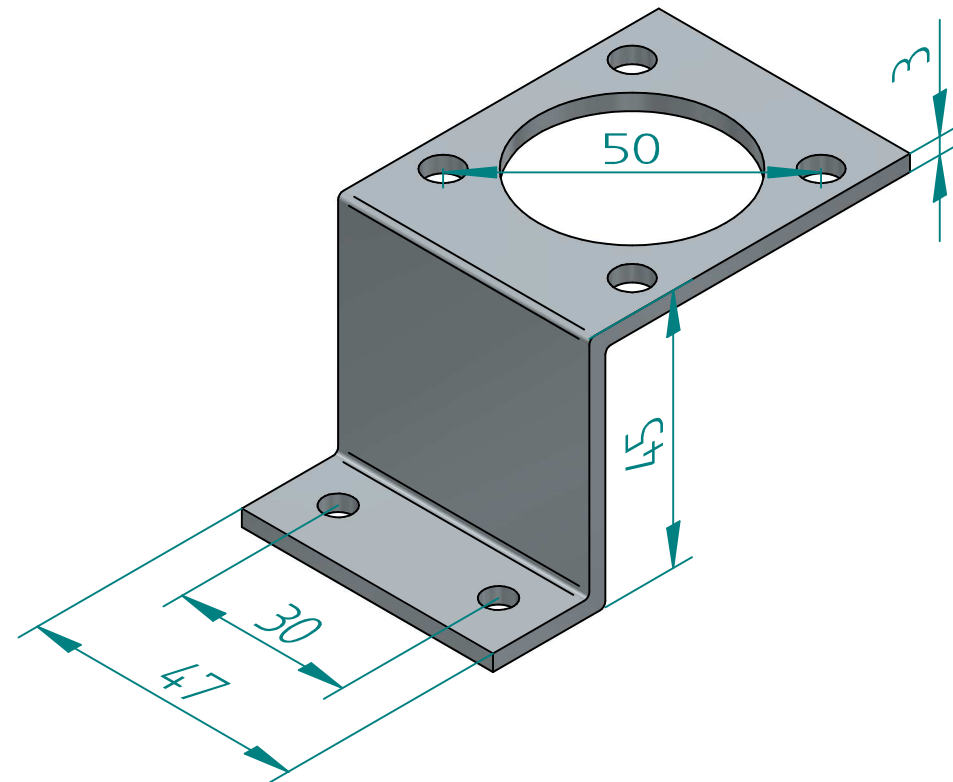


	NAME	DATE	SIZE	DWG NO
DRAWN	MOTO	25.07.2018	A3	REM02002C
CHECKED	TOCO	25.07.2018	FILE NAME: REM02002C.dft	
ENG APPR	TOCO	25.07.2018	SCALE: 1:1	REV:
MGR APPR	TOCO	25.07.2018	WEIGHT:	SHEET: 1 OF 2

UNLESS OTHERWISE SPECIFIED DIMENSIONS ARE IN MILLIMETERS AND TOLERANCES ARE +/-0,5

TITLE
BRACKET NAMUR 80 X 30 X 45 | F05

REV	DESCRIPTION	DATE	APPROVED
REVISION HISTORY			



TITLE BRACKET NAMUR 80 X 30 X 45 F05		NAME	DATE	SIZE	DWG NO	UNLESS OTHERWISE SPECIFIED DIMENSIONS ARE IN MILLIMETERS AND TOLERANCES ARE +/-0,5
	DRAWN	MOTO	25.07.2018	A3	REM02002C	
	CHECKED	TOCO	25.07.2018	FILE NAME: REM02002C.dft		
	ENG APPR	TOCO	25.07.2018	SCALE: 1:1	REV:	
	MGR APPR	TOCO	25.07.2018	WEIGHT:	SHEET: 2 OF 2	

REV	DESCRIPTION	DATE	APPROVED
REVISION HISTORY			