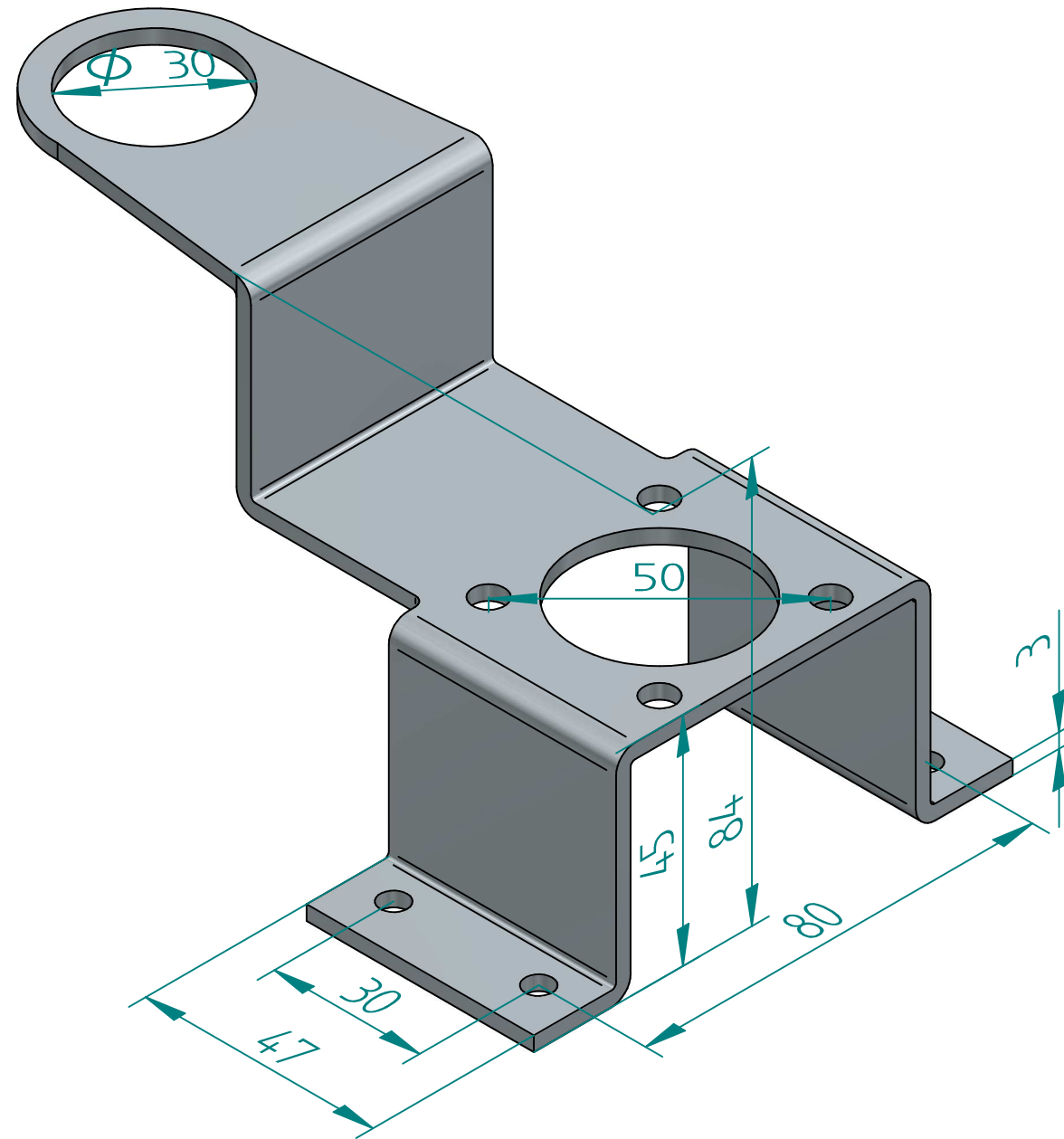


TITLE BRACKET NAMUR 80 X 30 X 45 F05 FOR RC220-260 MOUNTING FOR REX00012		NAME	DATE	SIZE	DWG NO	UNLESS OTHERWISE SPECIFIED DIMENSIONS ARE IN MILLIMETERS AND TOLERANCES ARE +/-0,5
	DRAWN	MOTO	17.12.2014	A3	REM02002B	
	CHECKED	TOCO	17.12.2014	FILE NAME: REM02002B.dft		
	ENG APPR	TOCO	17.12.2014	SCALE: 1:2	REV:	
	MGR APPR	TOCO	17.12.2014	WEIGHT:	SHEET: 1 OF 2	

REV	DESCRIPTION	DATE	APPROVED
REVISION HISTORY			



TITLE BRACKET NAMUR 80 X 30 X 45 F05 FOR RC220-260 MOUNTING FOR REX00012		NAME	DATE	SIZE	DWG NO	UNLESS OTHERWISE SPECIFIED DIMENSIONS ARE IN MILLIMETERS AND TOLERANCES ARE +/-0,5
	DRAWN	MOTO	17.12.2014	A3	REM02002B	
	CHECKED	TOCO	17.12.2014	FILE NAME: REM02002B.dft		
	ENG APPR	TOCO	17.12.2014	SCALE: 1:1	REV:	
	MGR APPR	TOCO	17.12.2014	WEIGHT:	SHEET: 2 OF 2	

REV	DESCRIPTION	DATE	APPROVED
REVISION HISTORY			