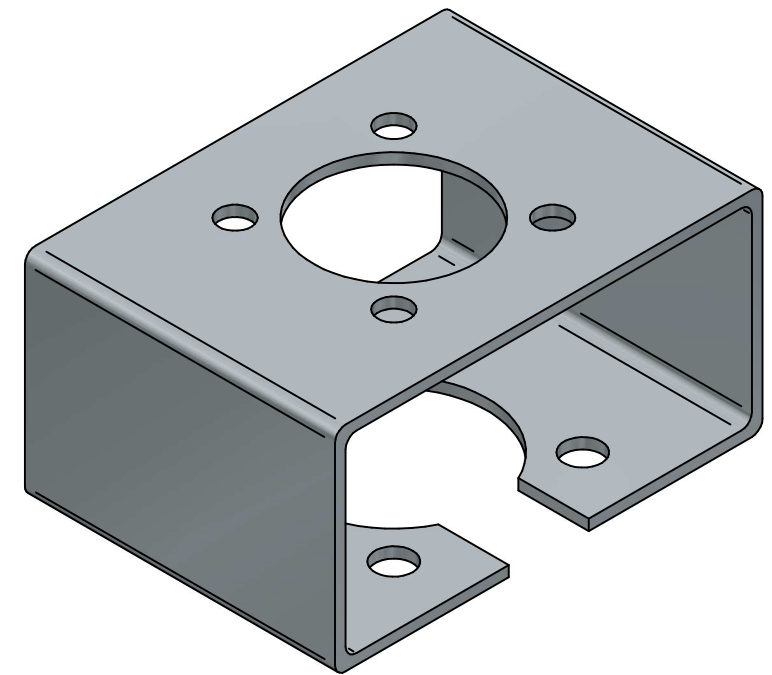
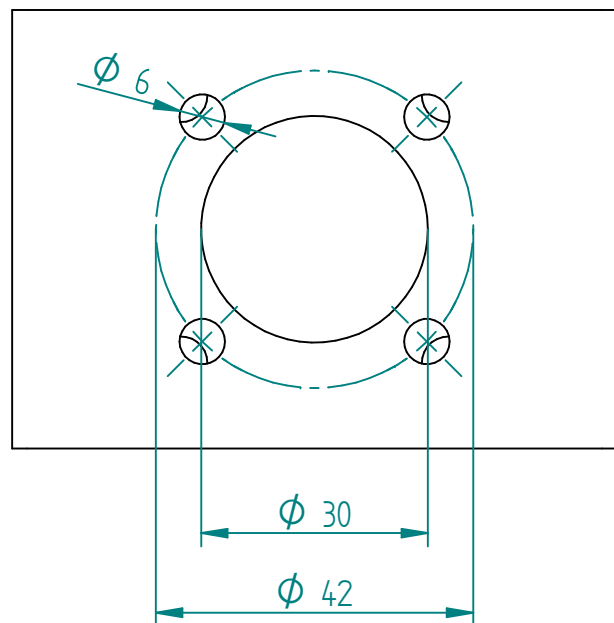
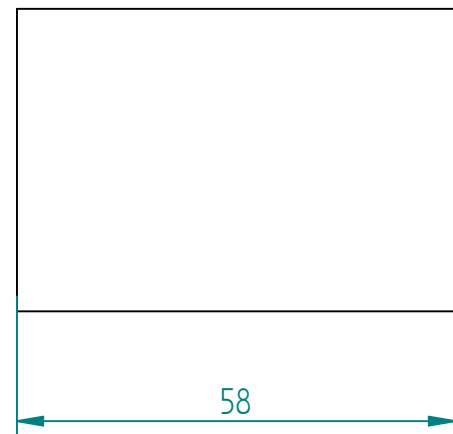
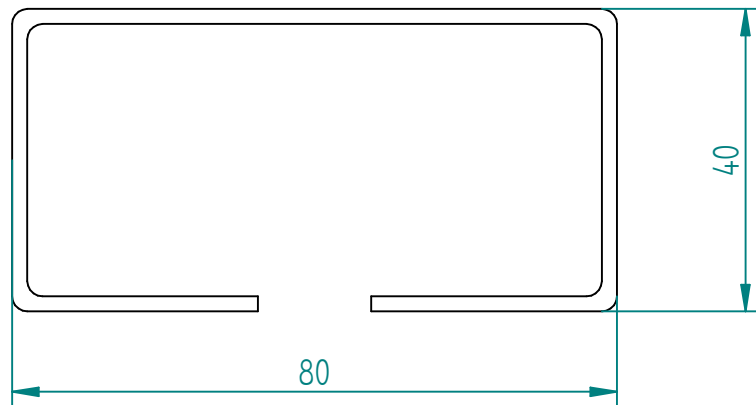
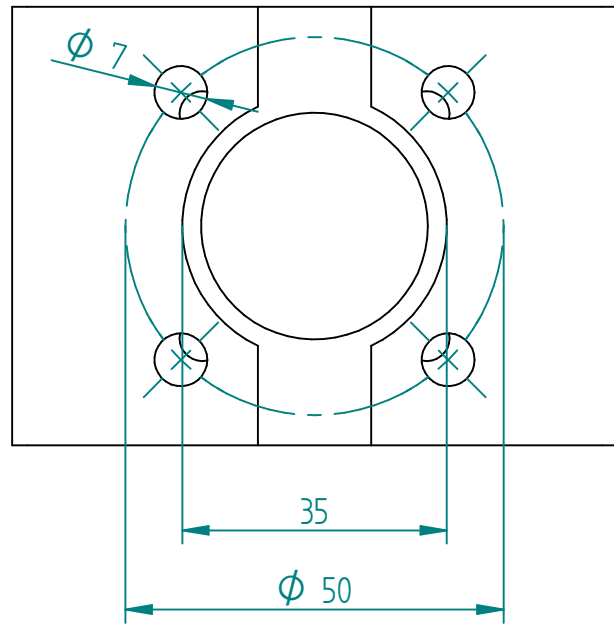


Material SS316



TITLE BRACKET SS316 DIN F05/F04	NAME	DATE	SIZE	DWG NO	UNLESS OTHERWISE SPECIFIED DIMENSIONS ARE IN MILLIMETERS AND TOLERANCES ARE +/-0,5
	DRAWN	MOTO	09.12.2014	A3 REM01602	
	CHECKED	TOCO	09.12.2014	FILE NAME: REM01602.dft	
	ENG APPR	TOCO	09.12.2014	SCALE: 1:1	
	MGR APPR	TOCO	09.12.2014	WEIGHT:	SHEET: 1 OF 1

REV	DESCRIPTION	DATE	APPROVED
REVISION HISTORY			