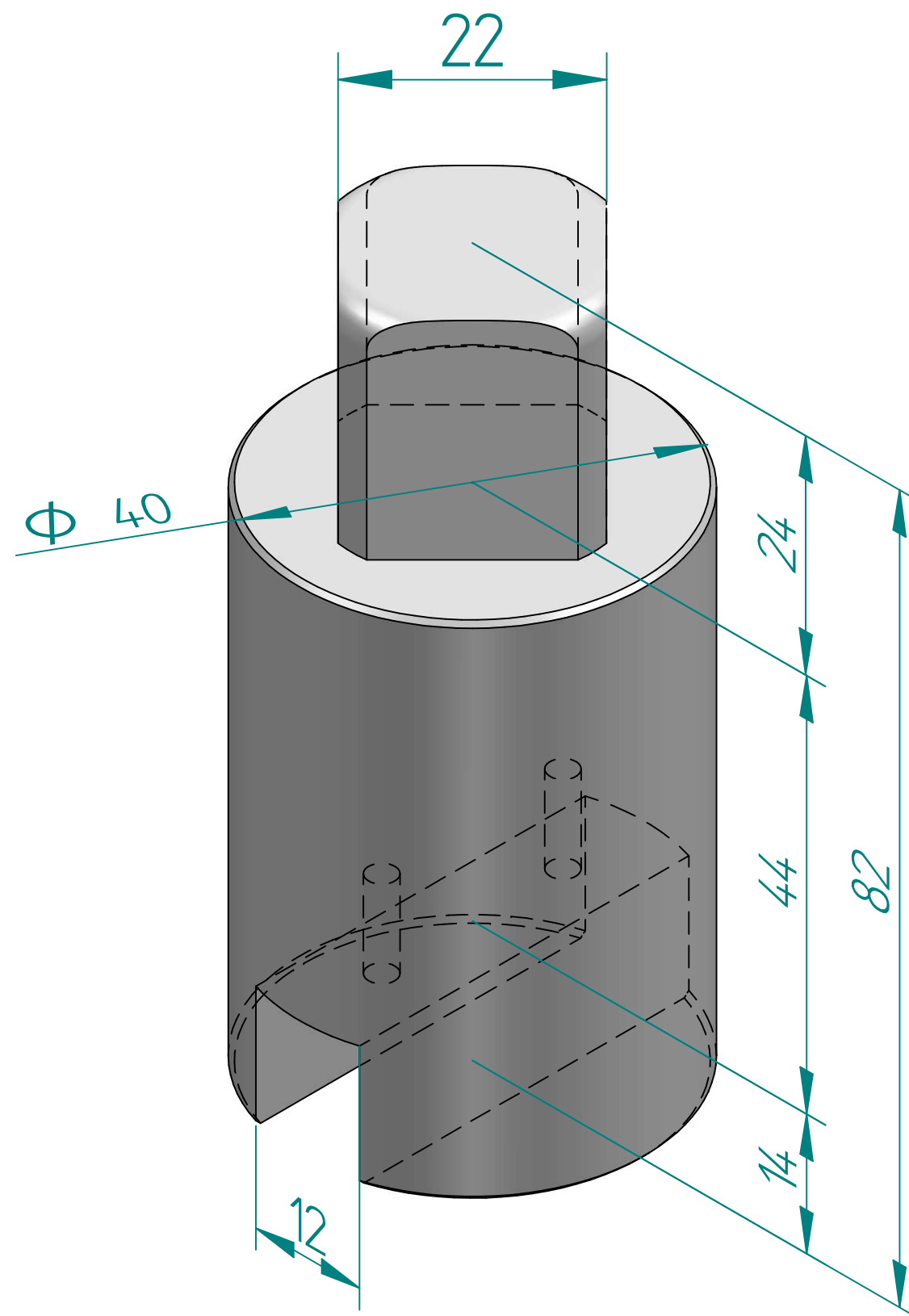


TITLE ADAPTER FIG90/RC240 ND50-65	DRAWN	MOTO	18.09.2020	SIZE A3	DWG NO REM01556	UNLESS OTHERWISE SPECIFIED DIMENSIONS ARE IN MILLIMETERS AND TOLERANCES ARE +/-0,5
	CHECKED	ERKJ	18.09.2020	FILE NAME: REM01556.dft		
	ENG APPR	TOCO	dd.mm.yyyy	SCALE: 1:1	REV:	
	MGR APPR	TOCO	dd.mm.yyyy	WEIGHT:	SHEET: 1 OF 2	

REV	DESCRIPTION	DATE	APPROVED
REVISION HISTORY			



TITLE ADAPTER FIG90/RC240 ND50-65	DRAWN	MOTO	18.09.2020	SIZE A3	DWG NO REM01556
	CHECKED	ERKJ	18.09.2020	FILE NAME: REM01556.dft	
	ENG APPR	TOCO	dd.mm.yyyy	SCALE: 2:1	REV:
	MGR APPR	TOCO	dd.mm.yyyy	WEIGHT:	SHEET: 2 OF 2

UNLESS OTHERWISE SPECIFIED DIMENSIONS ARE IN MILLIMETERS AND TOLERANCES ARE +/-0,5

REV	DESCRIPTION	DATE	APPROVED
REVISION HISTORY			