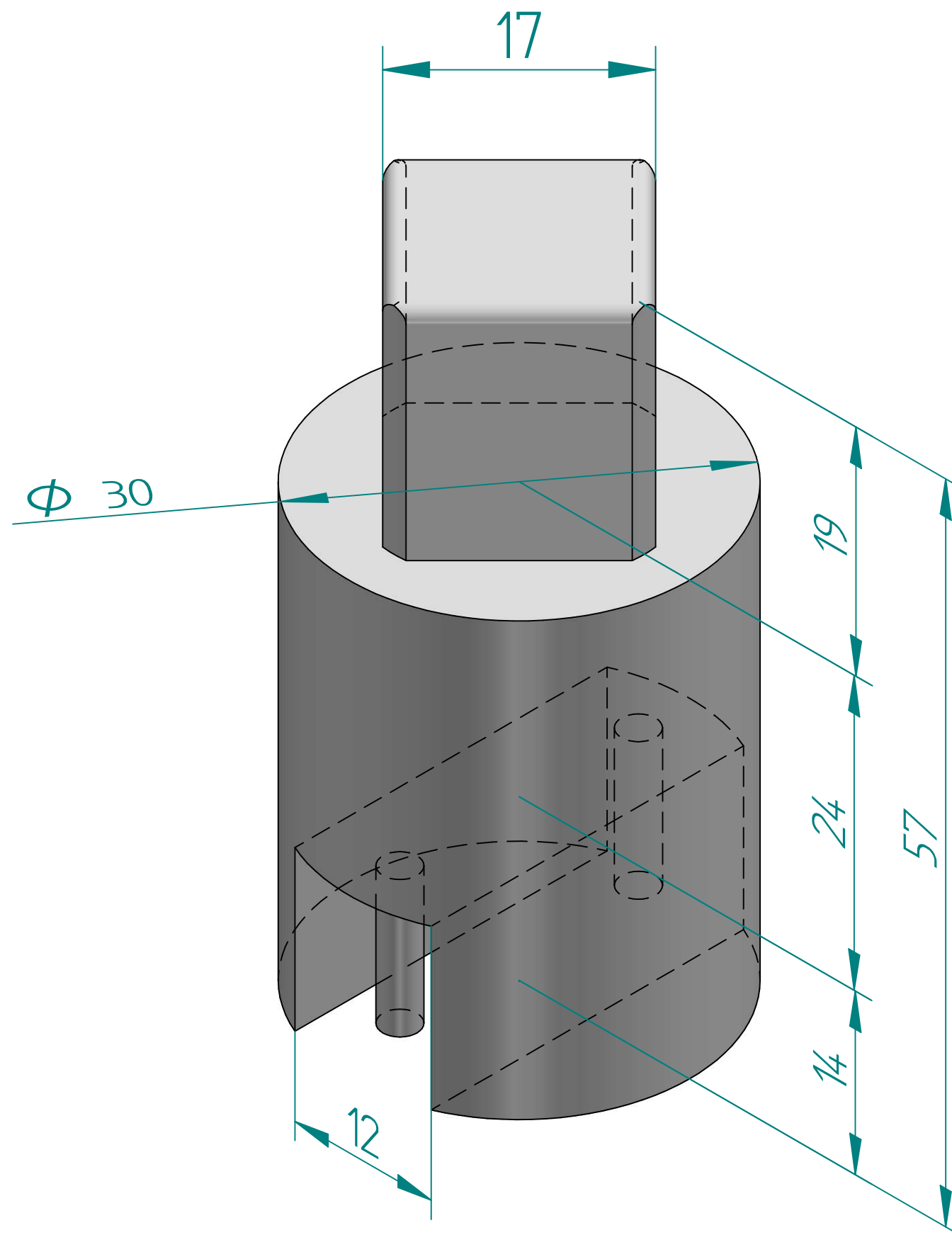


	NAME	DATE	SIZE	DWG NO
DRAWN	MOTO	18.09.2020	A3	REM01555
CHECKED	ERKJ	18.09.2020	FILE NAME: REM01555.dft	
ENG APPR	TOCO	dd.mm.yyyy	SCALE: 1,5:1	REV:
MGR APPR	TOCO	dd.mm.yyyy	WEIGHT:	SHEET: 1 OF 2

UNLESS OTHERWISE SPECIFIED DIMENSIONS ARE IN MILLIMETERS AND TOLERANCES ARE +/-0,5

TITLE
ADAPTER FIG90/RC230 ND40-65

REV	DESCRIPTION	DATE	APPROVED
REVISION HISTORY			



TITLE ADAPTER FIG90/RC230 ND40-65	DRAWN	MOTO	18.09.2020	SIZE A3	DWG NO REM01555	UNLESS OTHERWISE SPECIFIED DIMENSIONS ARE IN MILLIMETERS AND TOLERANCES ARE +/-0,5
	CHECKED	ERKJ	18.09.2020	FILE NAME: REM01555.dft		
ENG APPR	TOCO	dd.mm.yyyy	SCALE: 3:1	REV:		
MGR APPR	TOCO	dd.mm.yyyy	WEIGHT:	SHEET: 2 OF 2		

REV	DESCRIPTION	DATE	APPROVED
REVISION HISTORY			