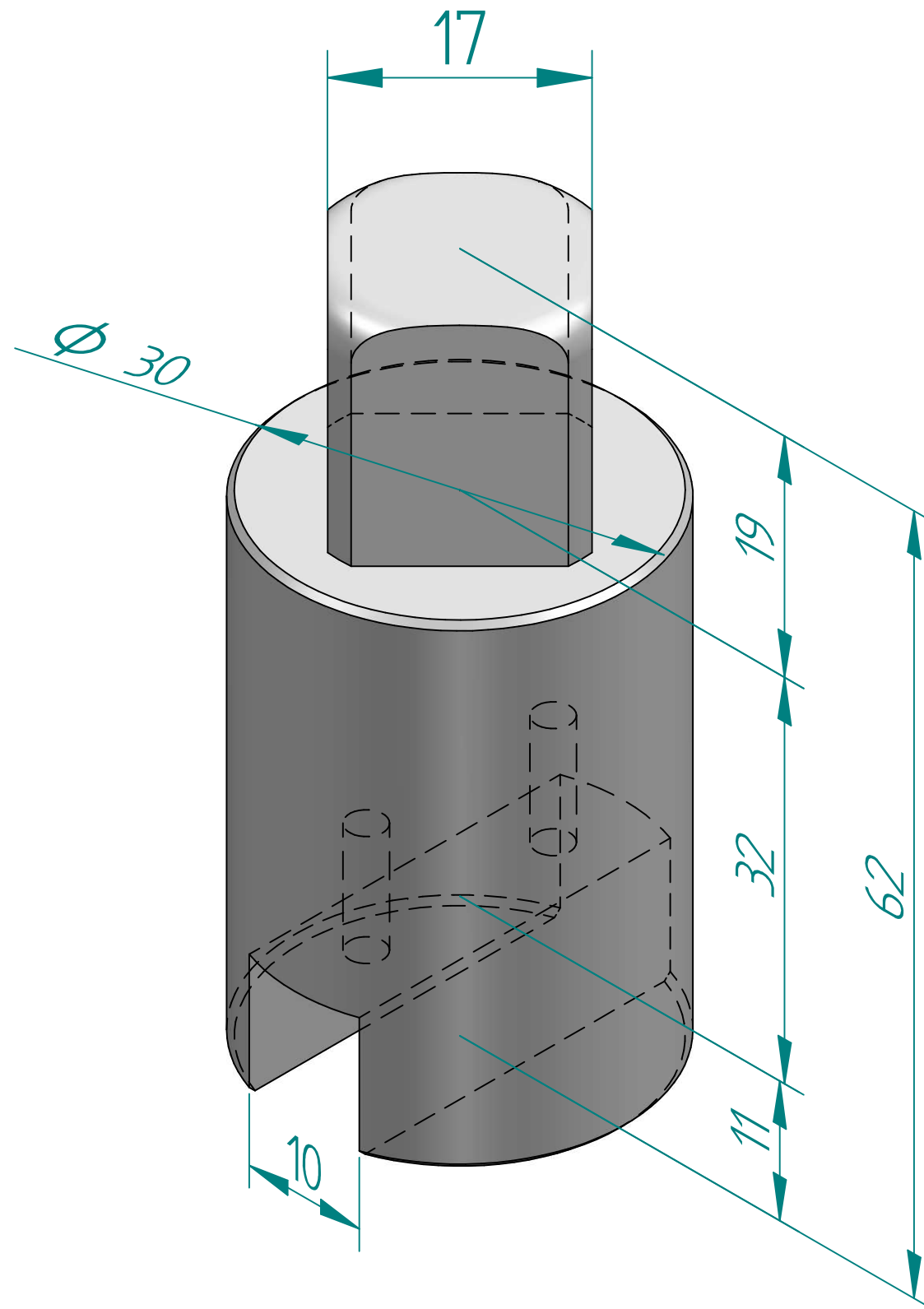


TITLE ADAPTER FIG90/RC230 ND32	DRAWN MOTO	NAME MOTO	DATE 18.09.2020	SIZE A3	DWG NO REM01554
	CHECKED ERKJ	TOCO	18.09.2020	FILE NAME: REM01554.dft	
	ENG APPR TOCO	TOCO	dd.mm.yyyy	SCALE: 1,5:1	REV:
	MGR APPR TOCO	TOCO	dd.mm.yyyy	WEIGHT:	SHEET: 1 OF 2

UNLESS OTHERWISE SPECIFIED DIMENSIONS ARE IN MILLIMETERS AND TOLERANCES ARE +/-0,5

REV	DESCRIPTION	DATE	APPROVED
REVISION HISTORY			



TITLE ADAPTER FIG90/RC230 ND32		NAME	DATE	SIZE	DWG NO	UNLESS OTHERWISE SPECIFIED DIMENSIONS ARE IN MILLIMETERS AND TOLERANCES ARE +/-0,5
	DRAWN	MOTO	18.09.2020	A3	REM01554	
	CHECKED	ERKJ	18.09.2020	FILE NAME: REM01554.dft		
	ENG APPR	TOCO	dd.mm.yyyy	SCALE: 2,5:1	REV:	
	MGR APPR	TOCO	dd.mm.yyyy	WEIGHT:	SHEET:	

REV	DESCRIPTION	DATE	APPROVED
REVISION HISTORY			