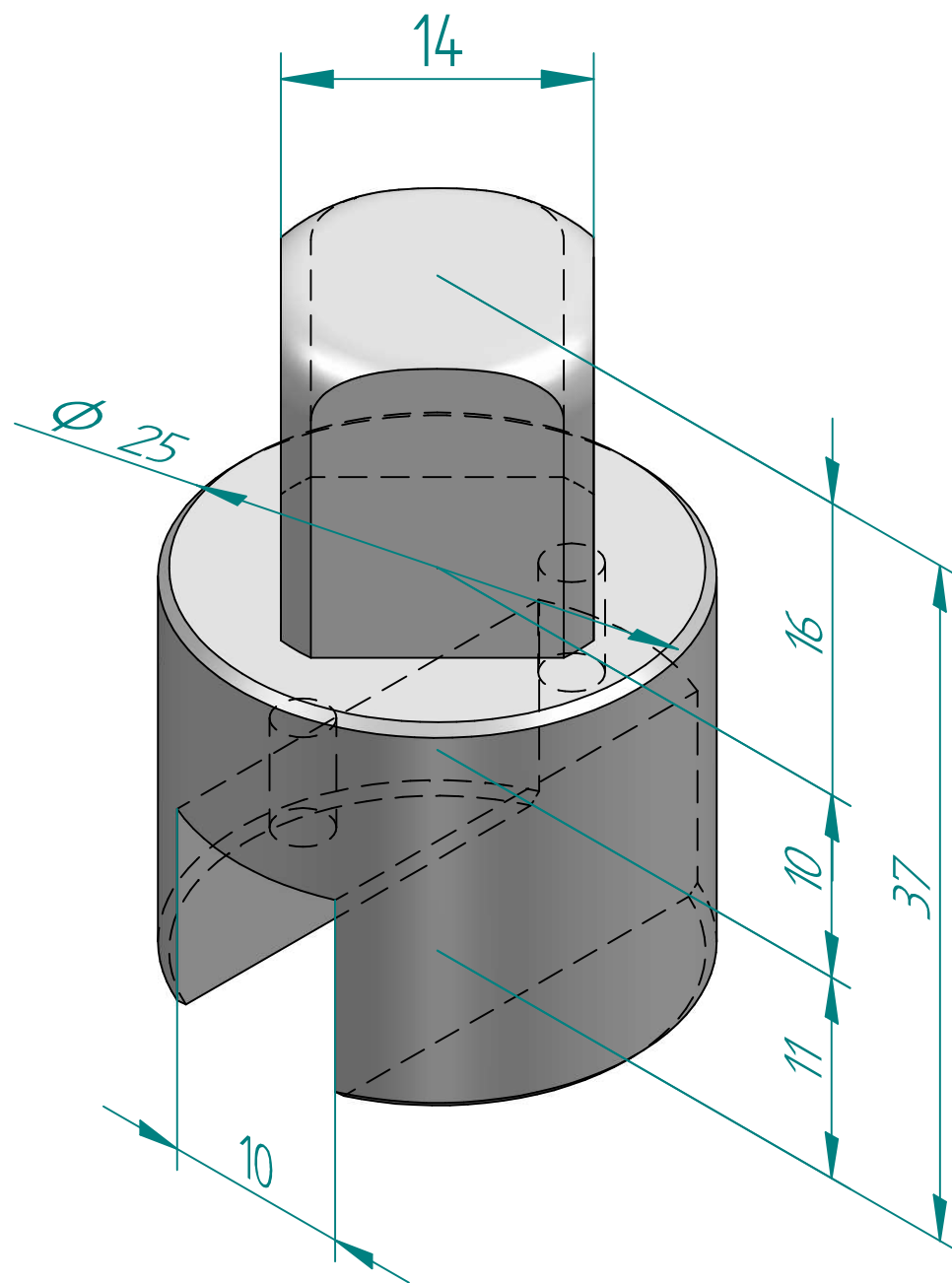


TITLE ADAPTER FIG90/RC210 ND25-32	NAME	DATE	SIZE	DWG NO
	DRAWN	MOTO	17.09.2020	A3 REM01551
	CHECKED	ERKJ	17.09.2020	FILE NAME: REM01551.dft
	ENG APPR	TOCO	dd.mm.yyyy	SCALE: 2:1
MGR APPR	TOCO	dd.mm.yyyy	WEIGHT:	REV:
				SHEET: 1 OF 2

UNLESS OTHERWISE SPECIFIED DIMENSIONS ARE IN MILLIMETERS AND TOLERANCES ARE +/-0,5

REV	DESCRIPTION	DATE	APPROVED
REVISION HISTORY			



TITLE ADAPTER FIG90/RC210 ND25-32		NAME	DATE	SIZE	DWG NO	UNLESS OTHERWISE SPECIFIED DIMENSIONS ARE IN MILLIMETERS AND TOLERANCES ARE +/-0,5
	DRAWN	MOTO	17.09.2020	A3	REM01551	
	CHECKED	ERKJ	17.09.2020	FILE NAME: REM01551.dft		
	ENG APPR	TOCO	dd.mm.yyyy	SCALE: 3:1	REV:	
	MGR APPR	TOCO	dd.mm.yyyy	WEIGHT:	SHEET: 2 OF 2	

REV	DESCRIPTION	DATE	APPROVED
REVISION HISTORY			