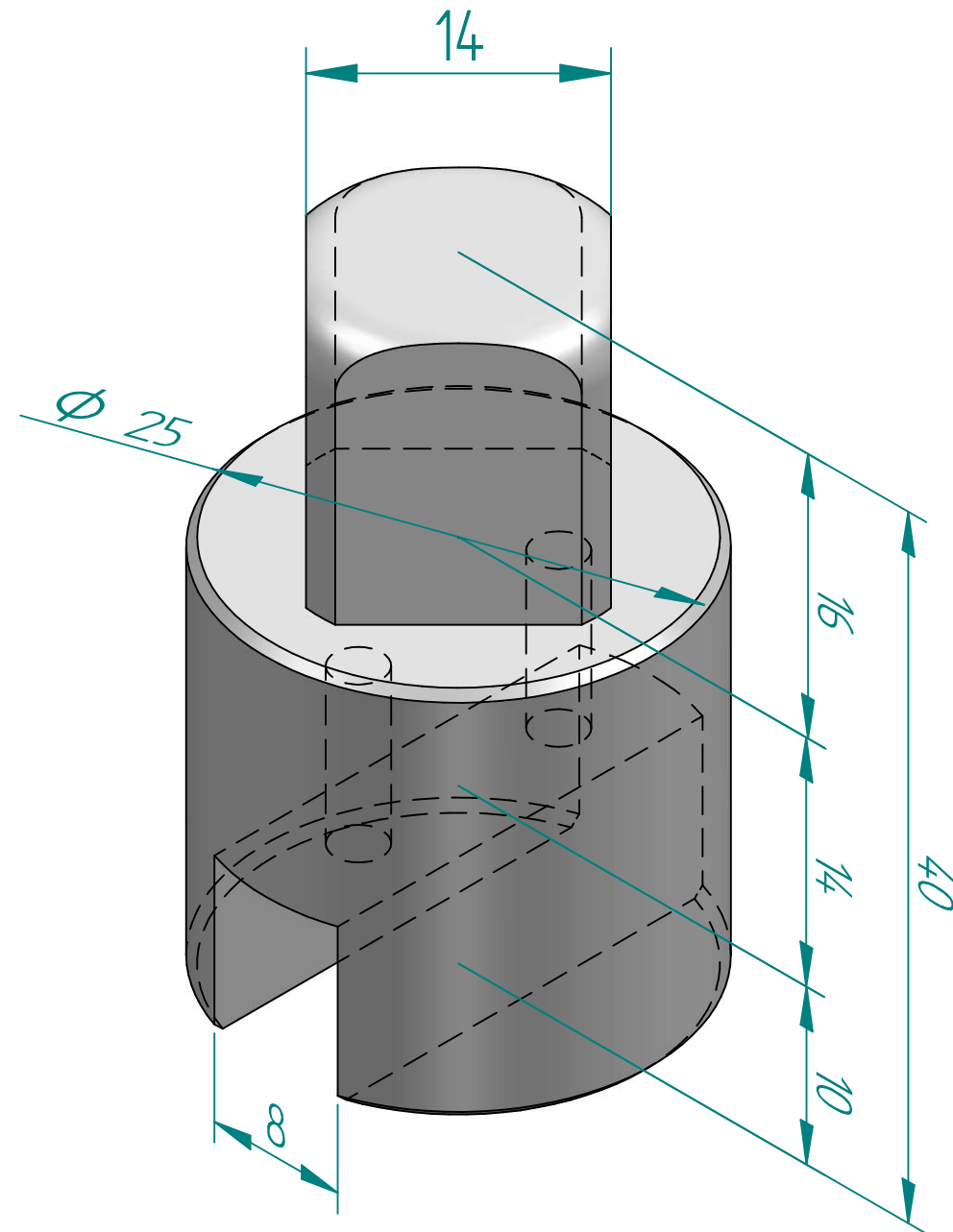


TITLE ADAPTER FIG90/RC210-220 ND15-20	NAME	DATE	SIZE	DWG NO
	DRAWN	MOTO	17.09.2020	A3 REM01550
	CHECKED	ERKJ	17.09.2020	FILE NAME: REM01550.dft
	ENG APPR	TOCO	dd.mm.yyyy	SCALE: 2:1
MGR APPR	TOCO	dd.mm.yyyy	WEIGHT: N/A	REV:
				SHEET: 1 OF 2

UNLESS OTHERWISE SPECIFIED DIMENSIONS ARE IN MILLIMETERS AND TOLERANCES ARE +/-0,5

REV	DESCRIPTION	DATE	APPROVED
REVISION HISTORY			



TITLE ADAPTER FIG90/RC210-220 ND15-20	NAME	DATE	SIZE	DWG NO	UNLESS OTHERWISE SPECIFIED DIMENSIONS ARE IN MILLIMETERS AND TOLERANCES ARE +/-0,5
	DRAWN	MOTO	17.09.2020	A3 REM01550	
	CHECKED	ERKJ	17.09.2020	FILE NAME: REM01550.dft	
	ENG APPR	TOCO	dd.mm.yyyy	SCALE: 3:1	
MGR APPR	TOCO	dd.mm.yyyy	WEIGHT: N/A	SHEET: 2 OF 2	

REV	DESCRIPTION	DATE	APPROVED
REVISION HISTORY			