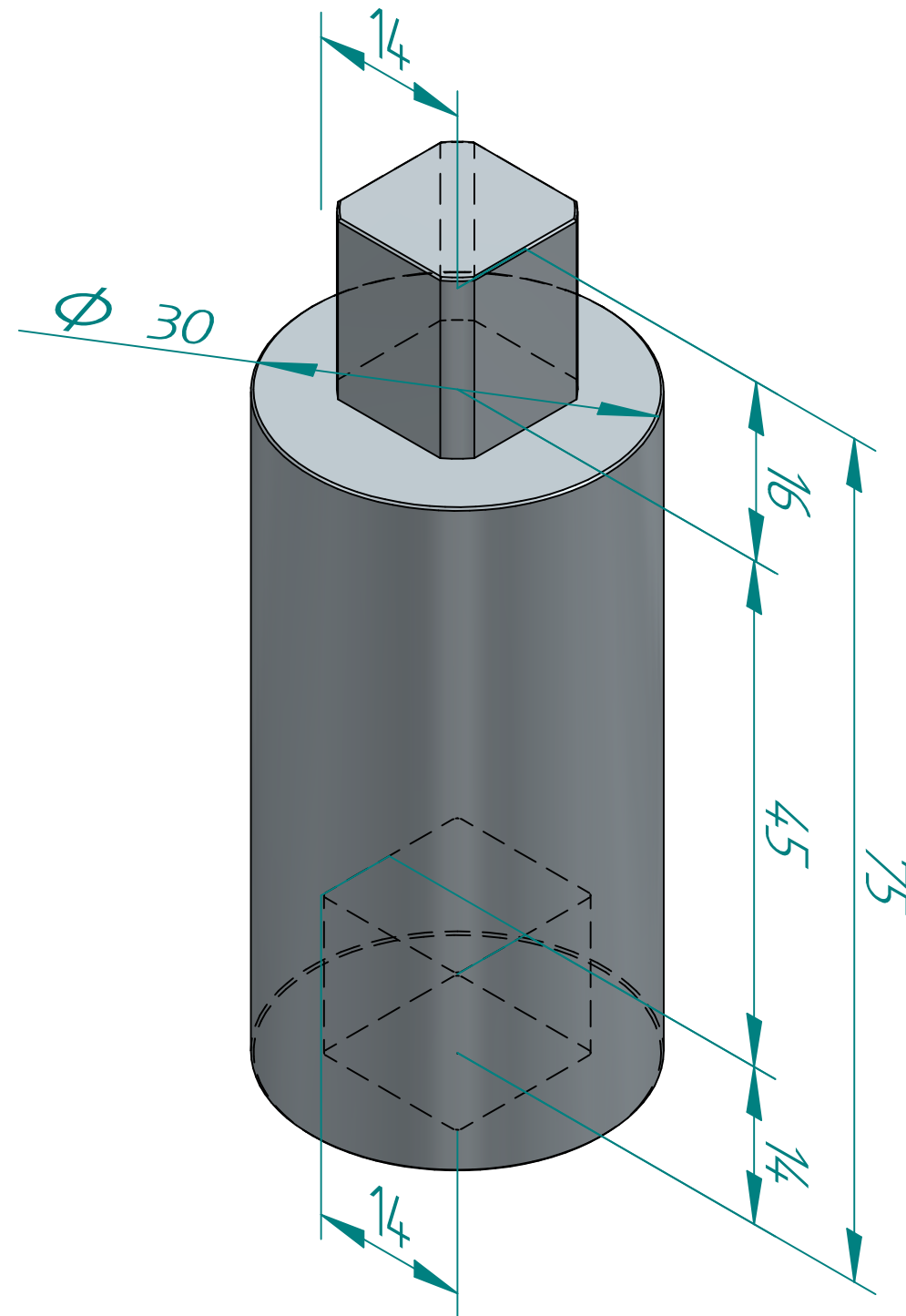


TITLE ADAPTER 14X14 H60-75 MM	NAME	DATE	SIZE	DWG NO
	DRAWN	MOTO	18.09.2020	<b>A3</b> REM01546
	CHECKED	TOCO	26.03.2015	FILE NAME: REM01546.dft
	ENG APPR	TOCO	dd.mm.yyyy	SCALE: 1,5:1
MGR APPR	TOCO	dd.mm.yyyy	WEIGHT: N/A	REV: .....
				SHEET: 1 OF 2

UNLESS OTHERWISE SPECIFIED DIMENSIONS ARE IN MILLIMETERS AND TOLERANCES ARE +/-0,5

REV	DESCRIPTION	DATE	APPROVED
REVISION HISTORY			



TITLE ADAPTER 14X14 H60-75 MM	NAME	DATE	SIZE	DWG NO	UNLESS OTHERWISE SPECIFIED DIMENSIONS ARE IN MILLIMETERS AND TOLERANCES ARE +/-0,5
	DRAWN	MOTO	18.09.2020	A3 REM01546	
	CHECKED	TOCO	26.03.2015	FILE NAME: REM01546.dft	
	ENG APPR	TOCO	dd.mm.yyyy	SCALE: 2:1	
	MGR APPR	TOCO	dd.mm.yyyy	WEIGHT: N/A	SHEET: 2 OF 2

REV	DESCRIPTION	DATE	APPROVED
REVISION HISTORY			