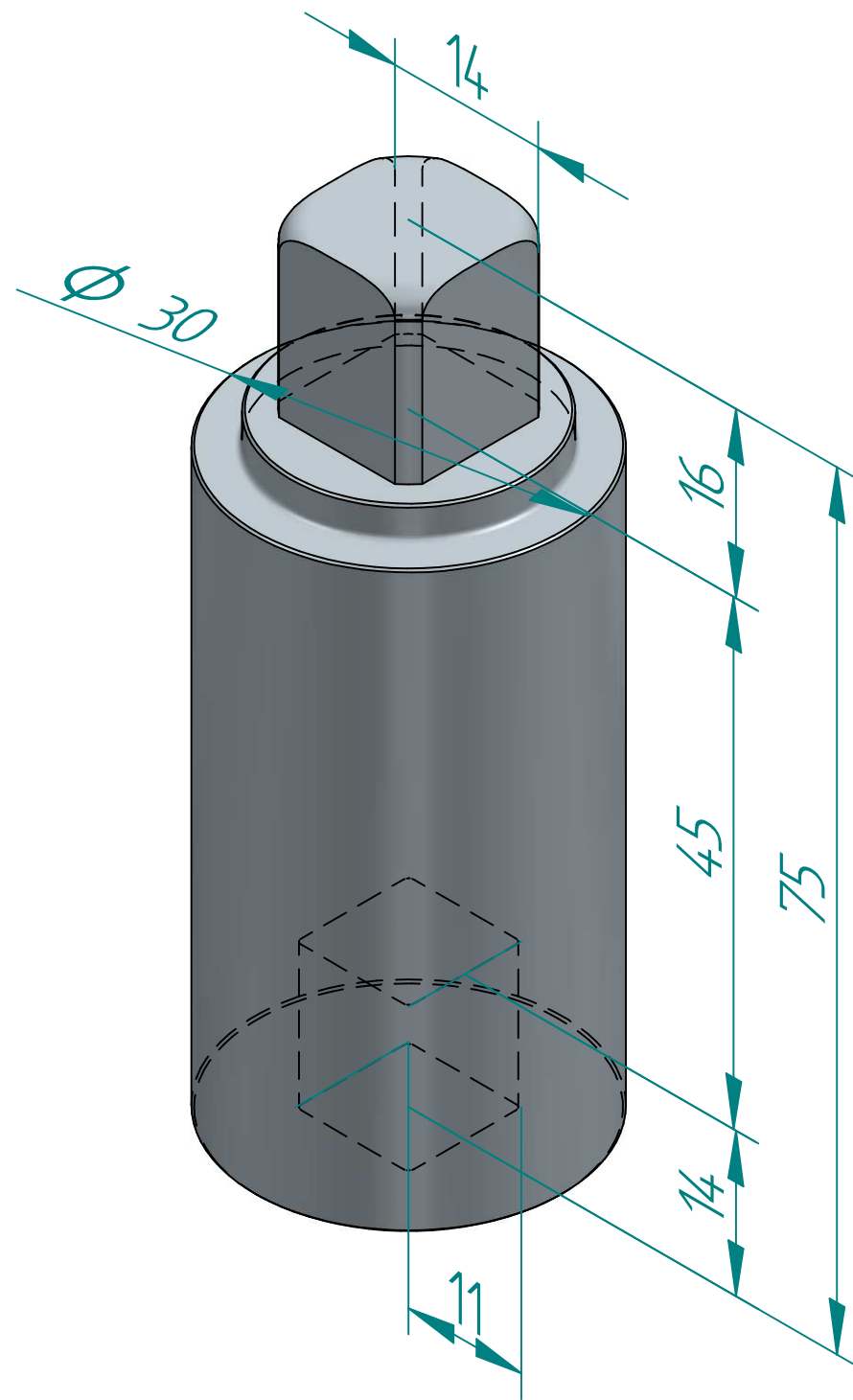


TITLE ADAPTER 14X11 220 H60-75 MM		NAME	DATE	SIZE	DWG NO
	DRAWN	MOTO	18.09.2020	A3	REM01545
	CHECKED	TOCO	26.03.2015	FILE NAME: REM01545.dft	
	ENG APPR	TOCO	dd.mm.yyyy	SCALE: 1,5:1	REV:
	MGR APPR	TOCO	dd.mm.yyyy	WEIGHT: N/A	SHEET: 1 OF 2

UNLESS OTHERWISE SPECIFIED DIMENSIONS ARE IN MILLIMETERS AND TOLERANCES ARE +/-0,5

REV	DESCRIPTION	DATE	APPROVED
REVISION HISTORY			



TITLE ADAPTER 14X11 220 H60-75 MM		NAME	DATE	SIZE	DWG NO	UNLESS OTHERWISE SPECIFIED DIMENSIONS ARE IN MILLIMETERS AND TOLERANCES ARE +/-0,5
	DRAWN	MOTO	18.09.2020	A3	REM01545	
	CHECKED	TOCO	26.03.2015	FILE NAME: REM01545.dft		
	ENG APPR	TOCO	dd.mm.yyyy	SCALE: 2:1	REV:	
	MGR APPR	TOCO	dd.mm.yyyy	WEIGHT: N/A	SHEET: 2 OF 2	

REV	DESCRIPTION	DATE	APPROVED
REVISION HISTORY			