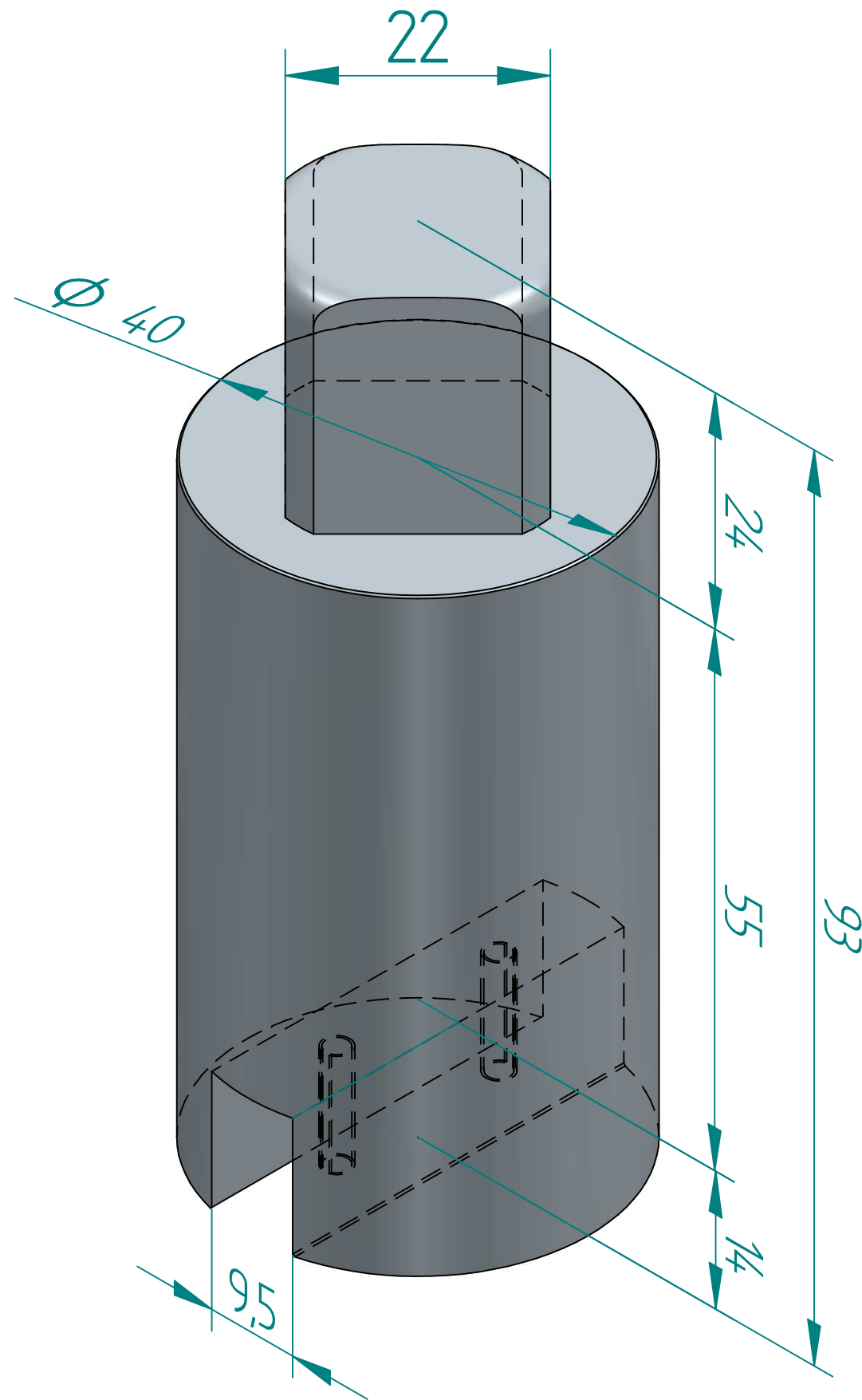


	NAME	DATE	SIZE	DWG NO
DRAWN	MOTO	18.09.2020	A3	REM01043
CHECKED	TOCO	26.03.2015	FILE NAME: REM01043.dft	
ENG APPR	TOCO	dd.mm.yyyy	SCALE: 1:1	REV: .....
MGR APPR	TOCO	dd.mm.yyyy	WEIGHT: N/A	SHEET: 1 OF 2

UNLESS OTHERWISE SPECIFIED DIMENSIONS ARE IN MILLIMETERS AND TOLERANCES ARE +/-0,5

TITLE  
ADAPTER 240-250 S9,3 H69

REV	DESCRIPTION	DATE	APPROVED
REVISION HISTORY			



TITLE ADAPTER 240-250 S9,3 H69		NAME	DATE	SIZE	DWG NO	UNLESS OTHERWISE SPECIFIED DIMENSIONS ARE IN MILLIMETERS AND TOLERANCES ARE +/-0,5
	DRAWN	MOTO	18.09.2020	<b>A3</b>	REM01043	
	CHECKED	TOCO	26.03.2015	FILE NAME: REM01043.dft		
	ENG APPR	TOCO	dd.mm.yyyy	SCALE: 2:1	REV: .....	
	MGR APPR	TOCO	dd.mm.yyyy	WEIGHT: N/A	SHEET: 2 OF 2	

REV	DESCRIPTION	DATE	APPROVED
REVISION HISTORY			