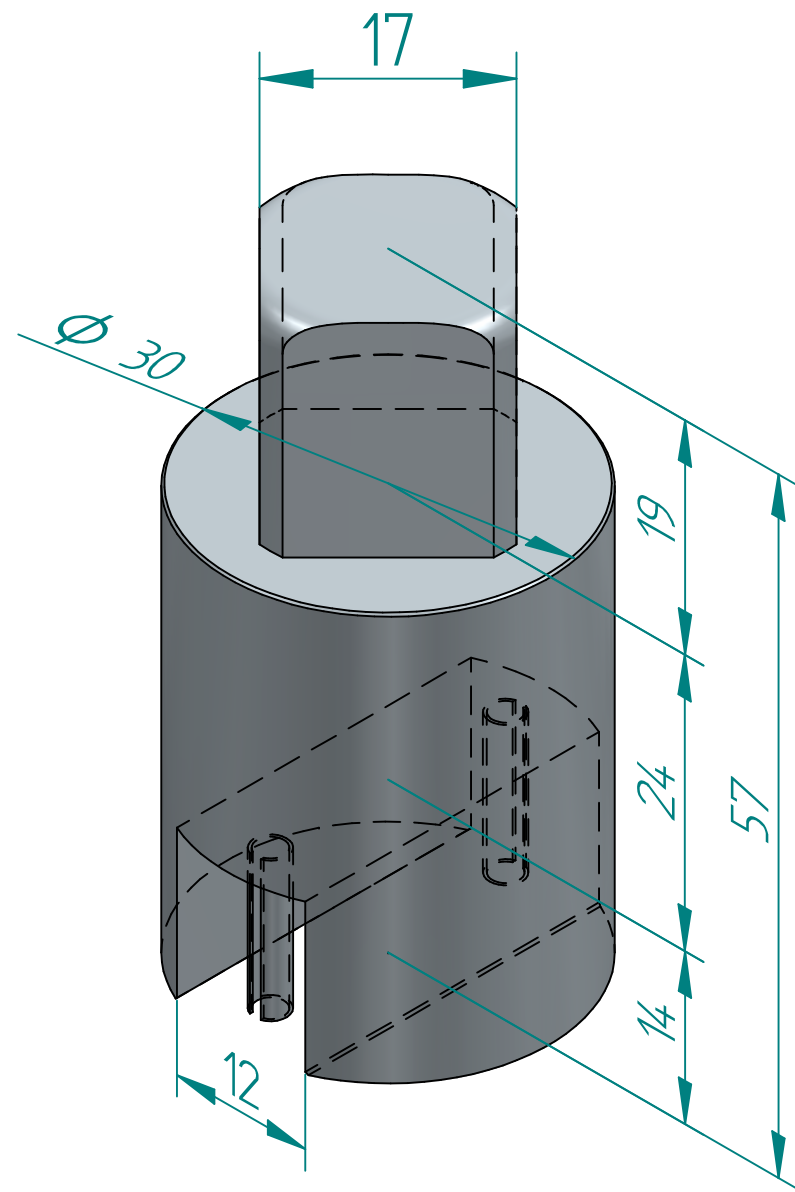


TITLE ADAPTER 230 S9,3 H47		NAME	DATE	SIZE	DWG NO	UNLESS OTHERWISE SPECIFIED DIMENSIONS ARE IN MILLIMETERS AND TOLERANCES ARE +/-0,5
	DRAWN	MOTO	17.09.2020	A3	REM01040	
	CHECKED	TOCO	26.03.2015	FILE NAME: REM01040.dft		
	ENG APPR	TOCO	dd.mm.yyyy	SCALE: 1,5:1	REV:	
	MGR APPR	TOCO	dd.mm.yyyy	WEIGHT: N/A	SHEET: 1 OF 2	

REV	DESCRIPTION	DATE	APPROVED
REVISION HISTORY			



TITLE ADAPTER 230 S9,3 H47		NAME	DATE	SIZE	DWG NO	UNLESS OTHERWISE SPECIFIED DIMENSIONS ARE IN MILLIMETERS AND TOLERANCES ARE +/-0,5
	DRAWN	MOTO	17.09.2020	A3	REM01040	
	CHECKED	TOCO	26.03.2015	FILE NAME: REM01040.dft		
	ENG APPR	TOCO	dd.mm.yyyy	SCALE: 2:1	REV:	
	MGR APPR	TOCO	dd.mm.yyyy	WEIGHT: N/A	SHEET: 2 OF 2	

REV	DESCRIPTION	DATE	APPROVED
REVISION HISTORY			