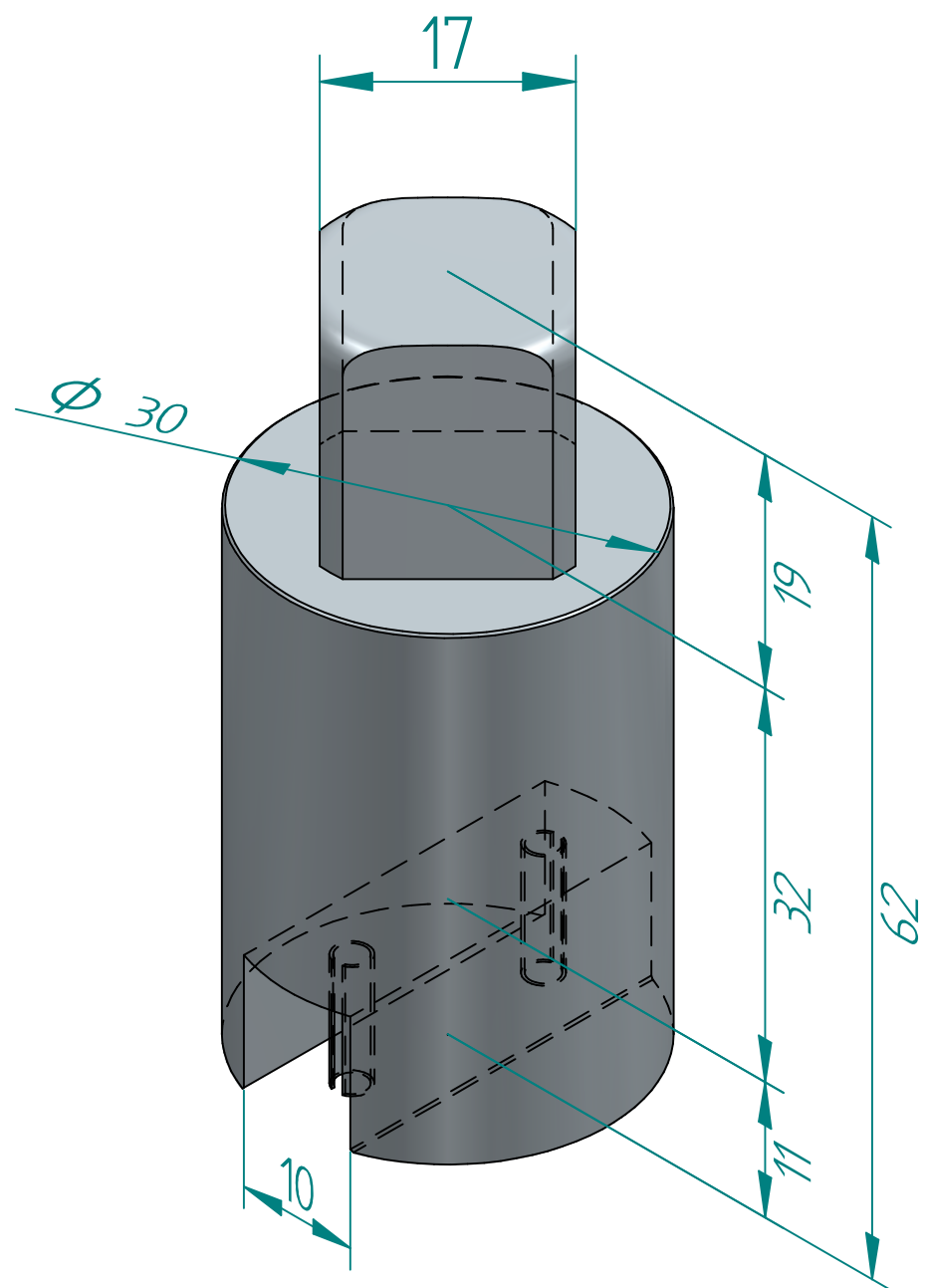


TITLE
ADAPTER 230 S8 H49

	NAME	DATE	SIZE	DWG NO
DRAWN	MOTO	17.09.2020	A3	REM01038
CHECKED	TOCO	26.03.2015	FILE NAME: REM01038.dft	
ENG APPR	TOCO	dd.mm.yyyy	SCALE: 1,5:1	REV:
MGR APPR	TOCO	dd.mm.yyyy	WEIGHT: N/A	SHEET: 1 OF 2

UNLESS OTHERWISE SPECIFIED DIMENSIONS ARE IN MILLIMETERS AND TOLERANCES ARE +/-0,5

REV	DESCRIPTION	DATE	APPROVED
REVISION HISTORY			



TITLE ADAPTER 230 S8 H49		NAME	DATE	SIZE	DWG NO	UNLESS OTHERWISE SPECIFIED DIMENSIONS ARE IN MILLIMETERS AND TOLERANCES ARE +/-0,5
	DRAWN	MOTO	17.09.2020	A3	REM01038	
	CHECKED	TOCO	26.03.2015	FILE NAME: REM01038.dft		
	ENG APPR	TOCO	dd.mm.yyyy	SCALE: 2:1	REV:	
	MGR APPR	TOCO	dd.mm.yyyy	WEIGHT: N/A	SHEET: 2 OF 2	

REV	DESCRIPTION	DATE	APPROVED
REVISION HISTORY			