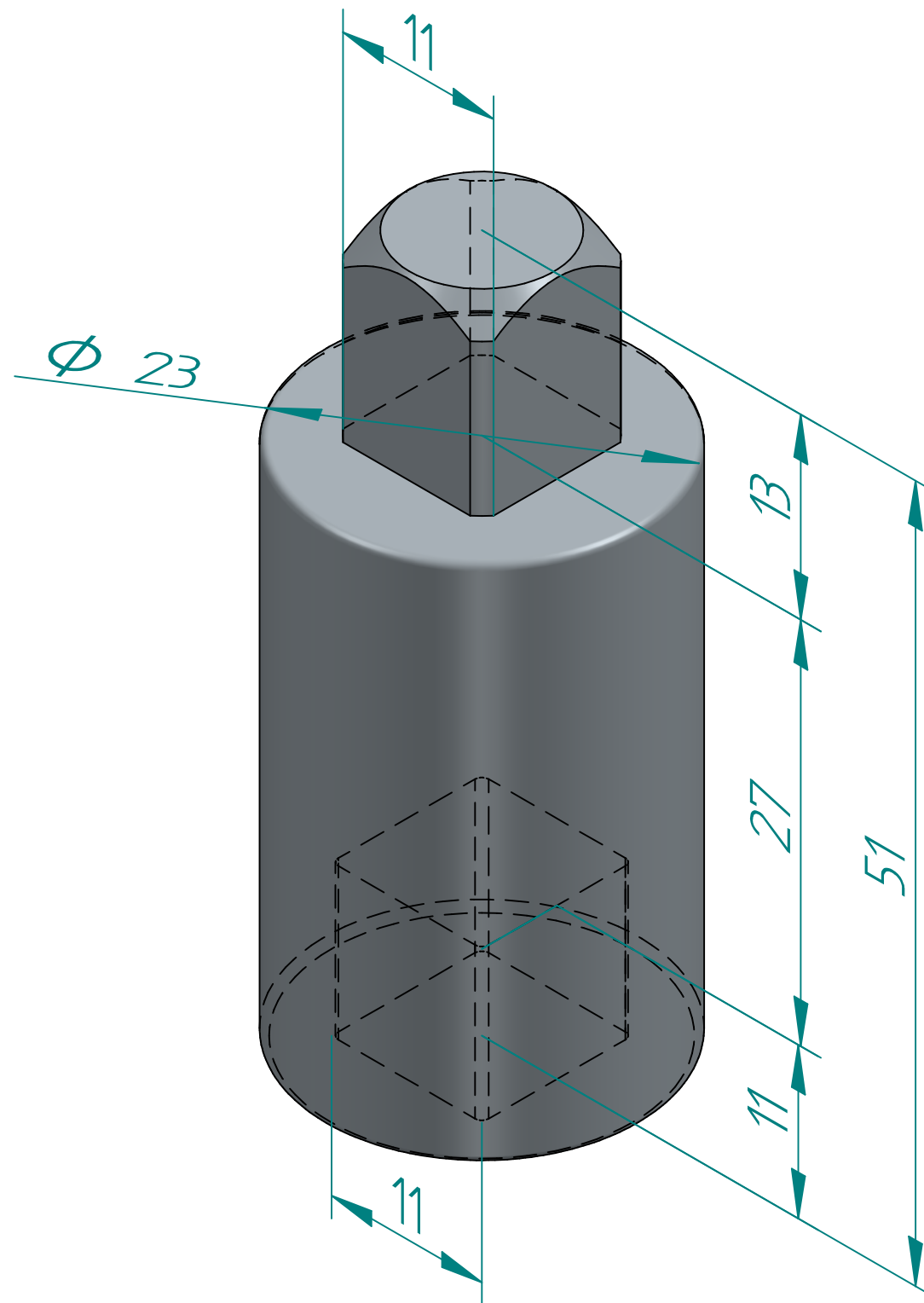


TITLE ADAPTER FOR EBRO VALVES SS316		NAME	DATE	SIZE	DWG NO
	DRAWN	TOCO	17.06.2019	A3	REM01034
	CHECKED	MOTO	18.09.2020	FILE NAME: REM01034.dft	
	ENG APPR	TOCO	dd.mm.yyyy	SCALE: 2:1	REV:
	MGR APPR	TOCO	dd.mm.yyyy	WEIGHT: 0,154 kg	SHEET: 1 OF 2

UNLESS OTHERWISE SPECIFIED DIMENSIONS ARE IN MILLIMETERS AND TOLERANCES ARE +/-0,5

REV	DESCRIPTION	DATE	APPROVED
REVISION HISTORY			



TITLE ADAPTER FOR EBRO VALVES SS316		NAME	DATE	SIZE	DWG NO	UNLESS OTHERWISE SPECIFIED DIMENSIONS ARE IN MILLIMETERS AND TOLERANCES ARE +/-0,5
	DRAWN	TOCO	17.06.2019	A3	REM01034	
	CHECKED	MOTO	18.09.2020	FILE NAME: REM01034.dft		
	ENG APPR	TOCO	dd.mm.yyyy	SCALE: 3:1	REV:	
	MGR APPR	TOCO	dd.mm.yyyy	WEIGHT: 0,154 kg	SHEET: 2 OF 2	

REV	DESCRIPTION	DATE	APPROVED
REVISION HISTORY			