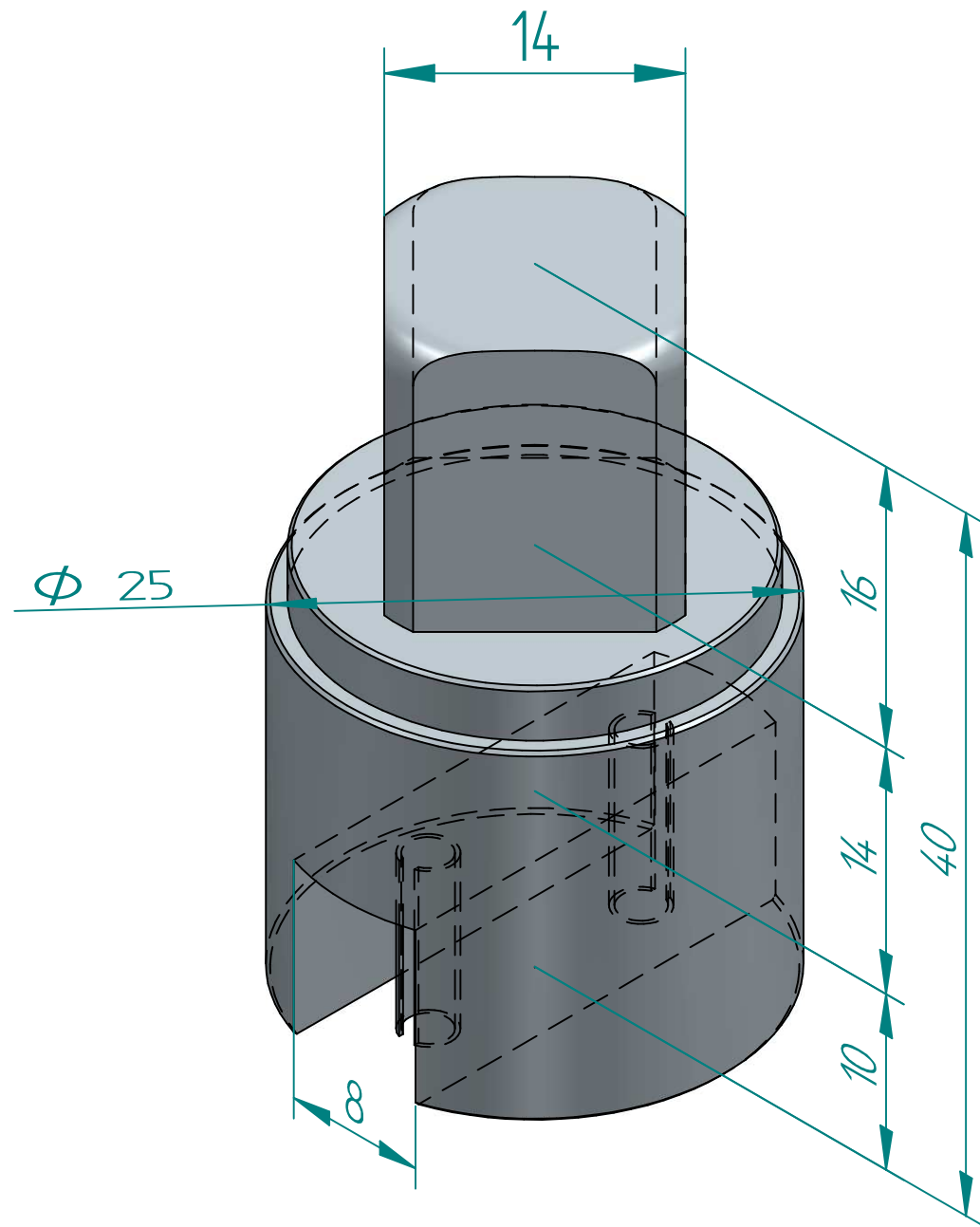


TITLE ADAPTER SQR14 8MM BOTTOM / 14MM HEIGHT	NAME	DATE	SIZE	DWG NO
	DRAWN	MOTO	17.09.2020	A3 REM01031
	CHECKED	TOCO	dd.mm.yyyy	FILE NAME: REM01031.dft
	ENG APPR	TOCO	dd.mm.yyyy	SCALE: 2:1
MGR APPR	TOCO	dd.mm.yyyy	WEIGHT: N/A	REV: .....
				SHEET: 1 OF 2

UNLESS OTHERWISE SPECIFIED DIMENSIONS ARE IN MILLIMETERS AND TOLERANCES ARE +/-0,5

REV	DESCRIPTION	DATE	APPROVED
REVISION HISTORY			



TITLE ADAPTER SQR14 8MM BOTTOM / 14MM HEIGHT		NAME	DATE	SIZE	DWG NO	UNLESS OTHERWISE SPECIFIED DIMENSIONS ARE IN MILLIMETERS AND TOLERANCES ARE +/-0,5
	DRAWN	MOTO	17.09.2020	<b>A3</b>	REM01031	
	CHECKED	TOCO	dd.mm.yyyy	FILE NAME: REM01031.dft		
	ENG APPR	TOCO	dd.mm.yyyy	SCALE: 3:1	REV: .....	
	MGR APPR	TOCO	dd.mm.yyyy	WEIGHT: N/A	SHEET: 2 OF 2	

REV	DESCRIPTION	DATE	APPROVED
REVISION HISTORY			