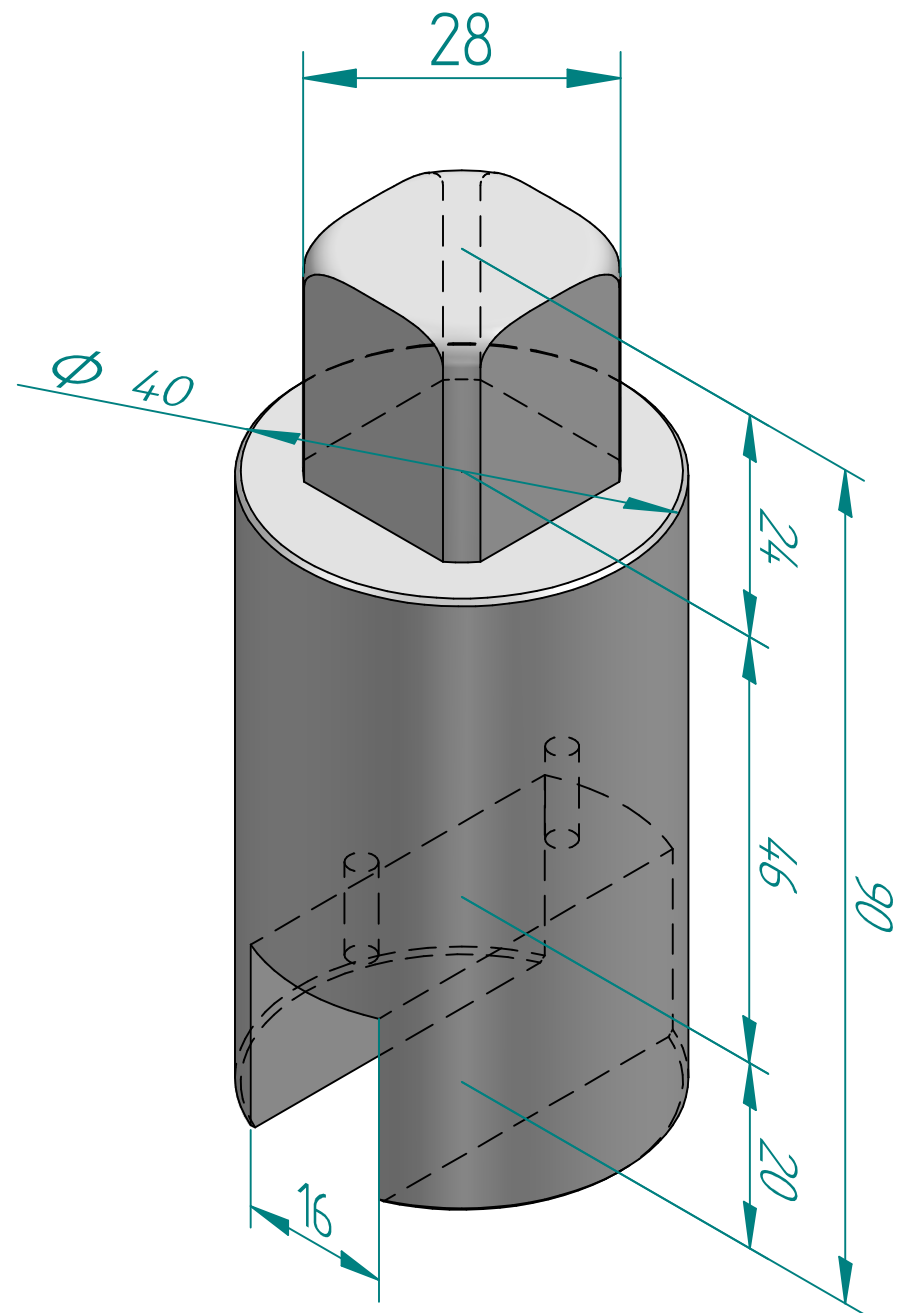


TITLE ADAPTER BRAY S30/31
ND200/260

	NAME	DATE	SIZE	DWG NO
DRAWN	MOTO	17.09.2020	A3	REM01014
CHECKED	TOCO	dd.mm.yyyy	FILE NAME: REM01014.dft	
ENG APPR	TOCO	dd.mm.yyyy	SCALE: 1:1	REV:
MGR APPR	TOCO	dd.mm.yyyy	WEIGHT:	SHEET: 1 OF 2

UNLESS OTHERWISE SPECIFIED
DIMENSIONS ARE IN MILLIMETERS
AND TOLERANCES ARE +/-0,5

REV	DESCRIPTION	DATE	APPROVED
REVISION HISTORY			



TITLE ADAPTER BRAY S30/31 ND200/260	NAME	DATE	SIZE	DWG NO	UNLESS OTHERWISE SPECIFIED DIMENSIONS ARE IN MILLIMETERS AND TOLERANCES ARE +/-0,5
	DRAWN	MOTO	17.09.2020	A3 REM01014	
	CHECKED	TOCO	dd.mm.yyyy	FILE NAME: REM01014.dft	
	ENG APPR	TOCO	dd.mm.yyyy	SCALE: 1,5:1	
	MGR APPR	TOCO	dd.mm.yyyy	WEIGHT:	SHEET: 2 OF 2

REV	DESCRIPTION	DATE	APPROVED
REVISION HISTORY			