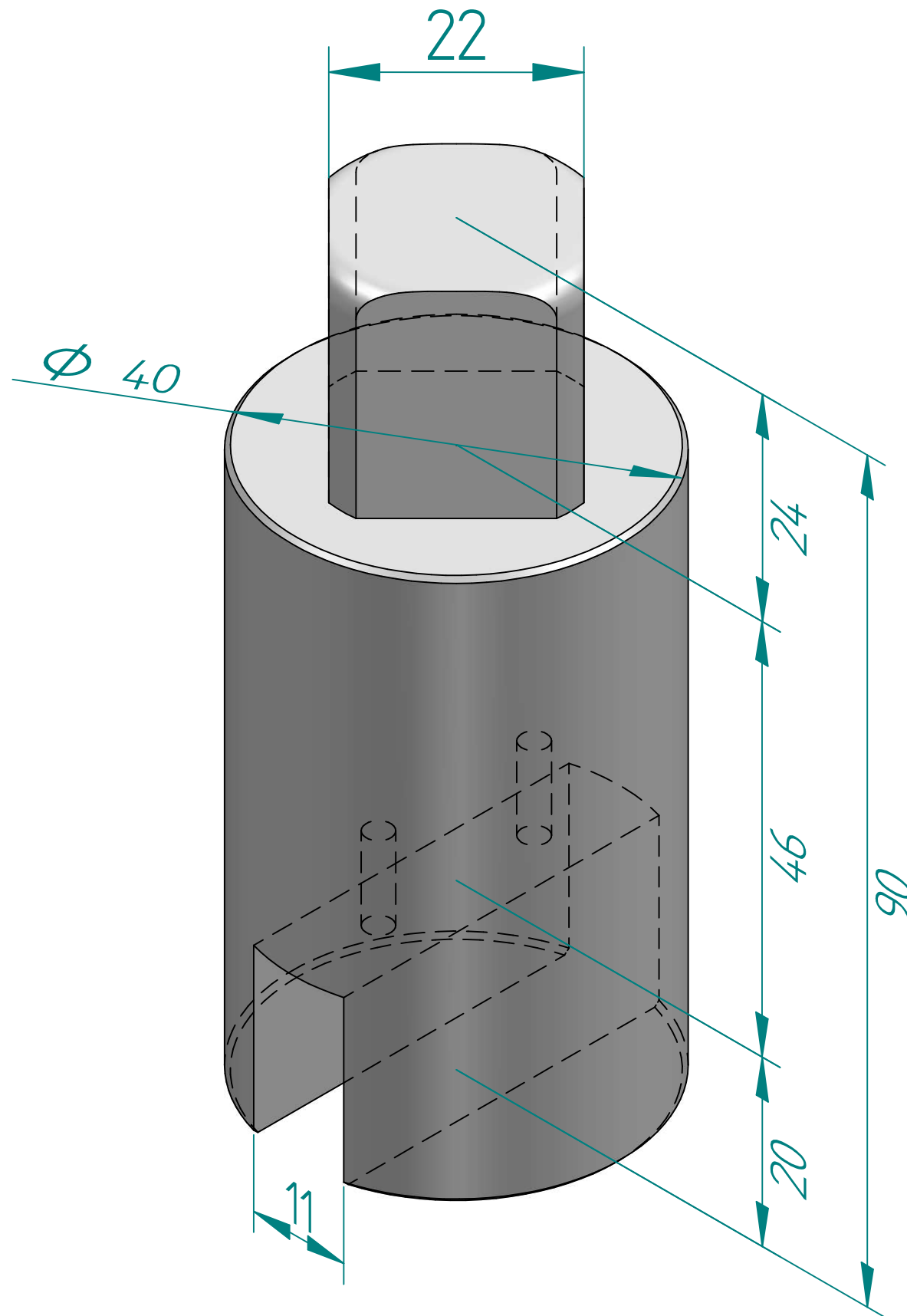


TITLE ADAPTER BRAY S30/31 ND100/240	DRAWN	MOTO	17.09.2020	SIZE A3	DWG NO REM01008
	CHECKED	TOCO	dd.mm.yyyy	FILE NAME: REM01008.dft	
	ENG APPR	TOCO	dd.mm.yyyy	SCALE: 1,2:1	REV:
	MGR APPR	TOCO	dd.mm.yyyy	WEIGHT:	SHEET: 1 OF 2

UNLESS OTHERWISE SPECIFIED DIMENSIONS ARE IN MILLIMETERS AND TOLERANCES ARE +/-0,5

REV	DESCRIPTION	DATE	APPROVED
REVISION HISTORY			



TITLE ADAPTER BRAY S30/31 ND100/240		NAME	DATE	SIZE	DWG NO
	DRAWN	MOTO	17.09.2020	A3	REM01008
	CHECKED	TOCO	dd.mm.yyyy	FILE NAME: REM01008.dft	
	ENG APPR	TOCO	dd.mm.yyyy	SCALE: 2:1	REV:
	MGR APPR	TOCO	dd.mm.yyyy	WEIGHT:	SHEET: 2 OF 2

UNLESS OTHERWISE SPECIFIED DIMENSIONS ARE IN MILLIMETERS AND TOLERANCES ARE +/-0,5

REV	DESCRIPTION	DATE	APPROVED
REVISION HISTORY			