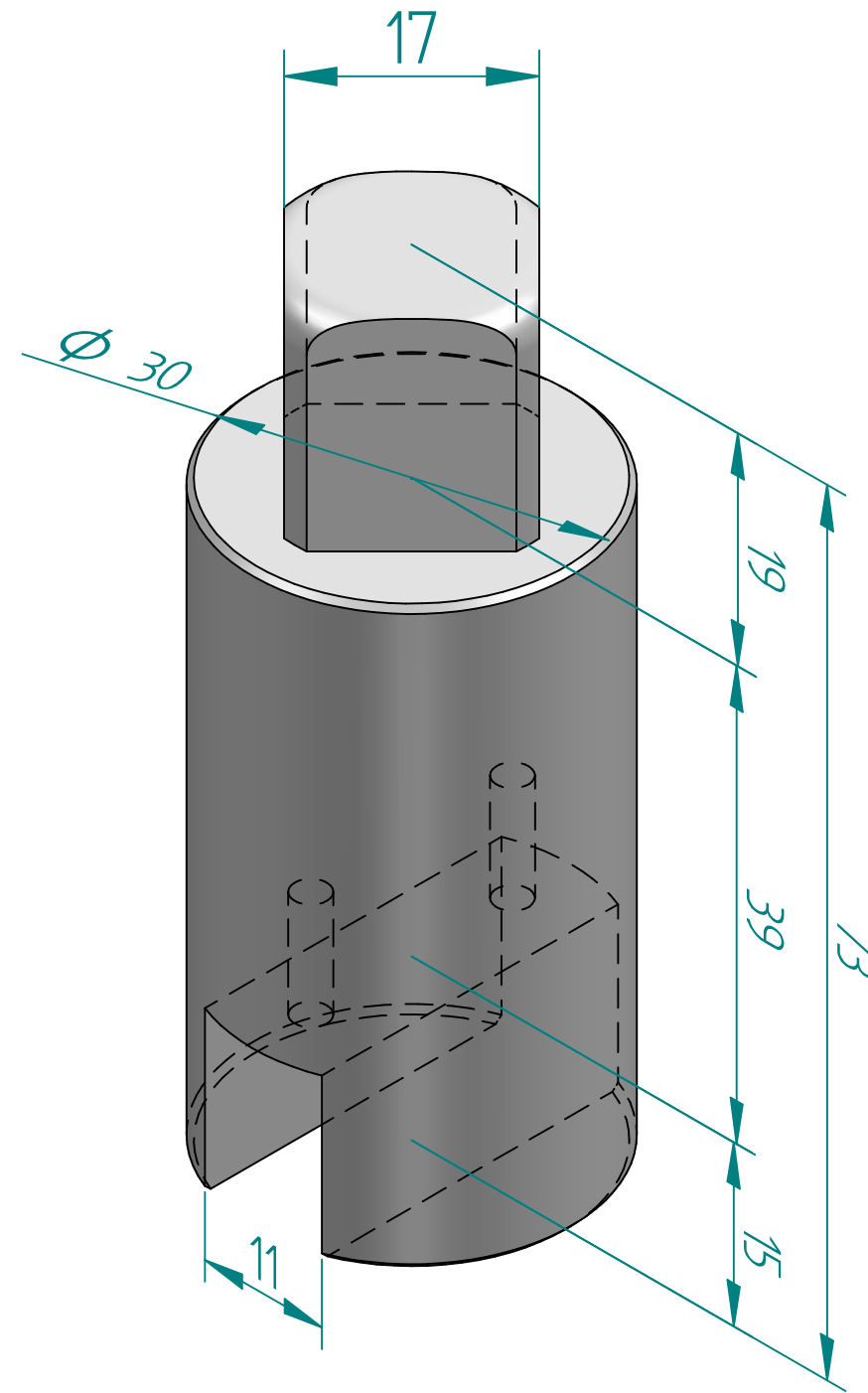


TITLE ADAPTER TIL BRAY  
S30/31 ND100/230

	NAME	DATE	SIZE	DWG NO
DRAWN	MOTO	17.09.2020	<b>A3</b>	REM01007
CHECKED	TOCO	dd.mm.yyyy	FILE NAME: REM01007.dft	
ENG APPR	TOCO	dd.mm.yyyy	SCALE: 1,5:1	REV: .....
MGR APPR	TOCO	dd.mm.yyyy	WEIGHT:	SHEET: 1 OF 2

UNLESS OTHERWISE SPECIFIED DIMENSIONS ARE IN MILLIMETERS AND TOLERANCES ARE +/-0,5

REV	DESCRIPTION	DATE	APPROVED
REVISION HISTORY			



TITLE ADAPTER TIL BRAY S30/31 ND100/230		NAME	DATE	SIZE	DWG NO	UNLESS OTHERWISE SPECIFIED DIMENSIONS ARE IN MILLIMETERS AND TOLERANCES ARE +/-0,5
	DRAWN	MOTO	17.09.2020	<b>A3</b>	REM01007	
	CHECKED	TOCO	dd.mm.yyyy	FILE NAME: REM01007.dft		
	ENG APPR	TOCO	dd.mm.yyyy	SCALE: 2:1	REV: .....	
	MGR APPR	TOCO	dd.mm.yyyy	WEIGHT:	SHEET: 2 OF 2	

REV	DESCRIPTION	DATE	APPROVED
REVISION HISTORY			