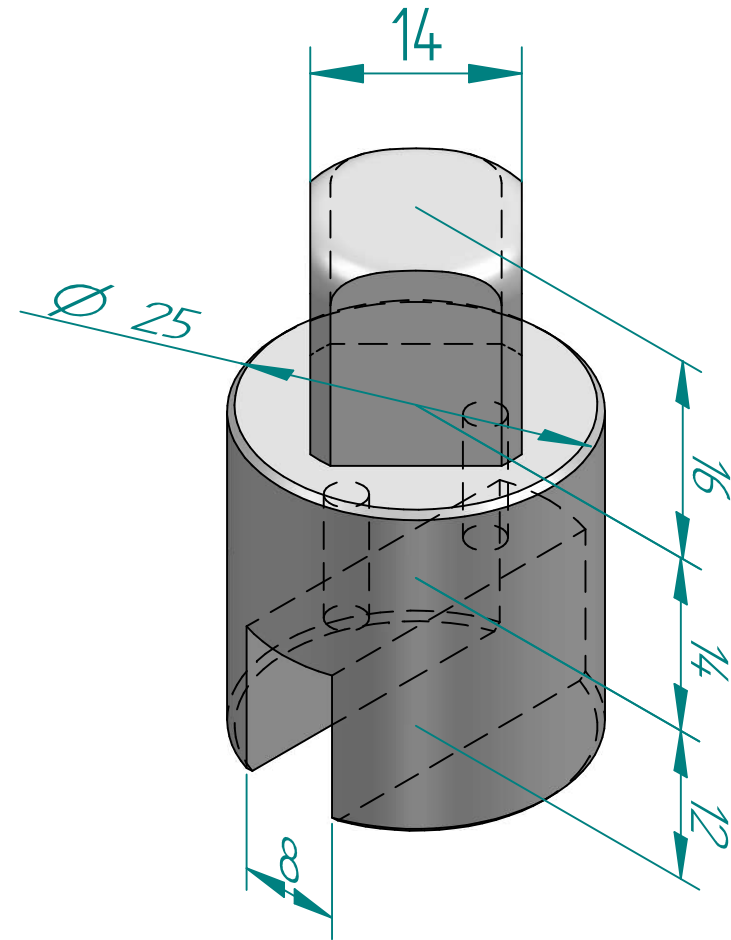


TITLE ADAPTER BRAY S20/21  
ND25/40 210-220

	NAME	DATE	SIZE	DWG NO
DRAWN	MOTO	30.08.2018	<b>A3</b>	REM01000
CHECKED	MOTO	17.09.2020	FILE NAME: REM01000.dft	
ENG APPR	TOCO	dd.mm.yyyy	SCALE: 2:1	REV: .....
MGR APPR	TOCO	dd.mm.yyyy	WEIGHT:	SHEET: 1 OF 2

UNLESS OTHERWISE  
SPECIFIED  
DIMENSIONS ARE IN  
MILLIMETERS  
AND TOLERANCES ARE  
+/-0,5

REV	DESCRIPTION	DATE	APPROVED
REVISION HISTORY			



TITLE ADAPTER BRAY S20/21  
ND25/40 210-220

	NAME	DATE	SIZE	DWG NO
DRAWN	MOTO	30.08.2018	<b>A3</b>	REM01000
CHECKED	MOTO	17.09.2020	FILE NAME: REM01000.dft	
ENG APPR	TOCO	dd.mm.yyyy	SCALE: 2:1	REV: .....
MGR APPR	TOCO	dd.mm.yyyy	WEIGHT:	SHEET: 2 OF 2

UNLESS OTHERWISE SPECIFIED DIMENSIONS ARE IN MILLIMETERS AND TOLERANCES ARE +/-0,5

REV	DESCRIPTION	DATE	APPROVED
REVISION HISTORY			