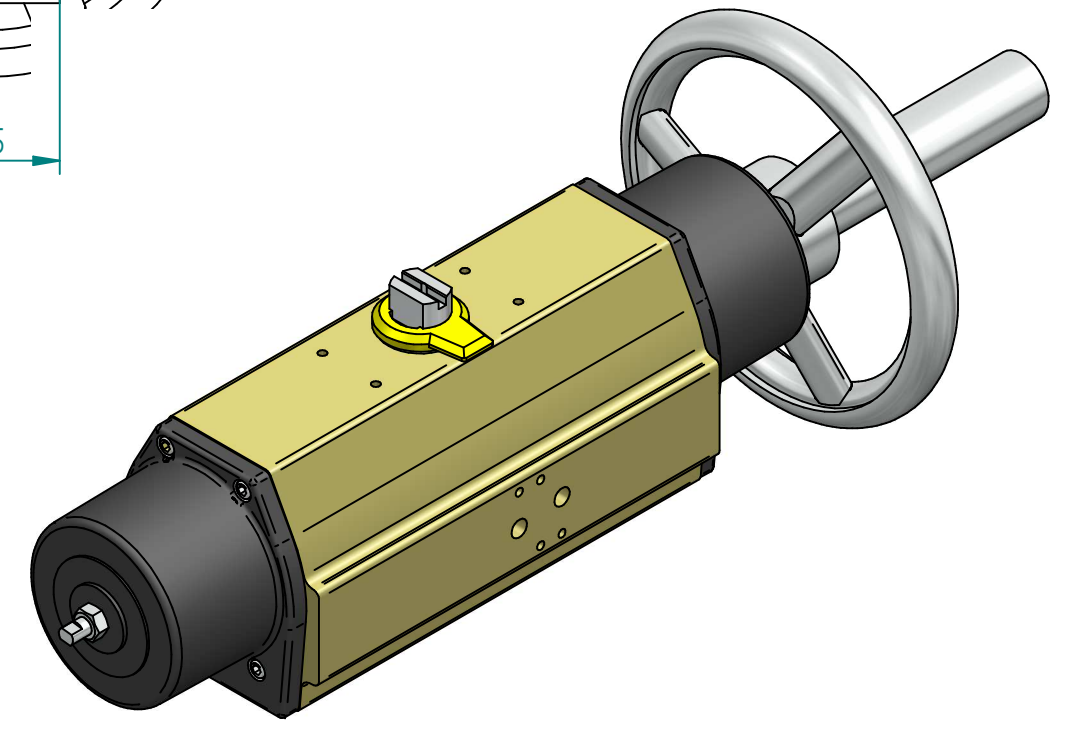


DETAIL A 1:1

Hole pattern for solenoid valve acc. to VDI/VDE 3845, NAMUR



TITLE PNEUMATIC ACTUATOR RCT240SRM F07 F10 SQR22		NAME	DATE	SIZE	DWG NO
	DRAWN	MOTO	14.11.2014	A3	REM00284
	CHECKED	TOCO	14.11.2014	FILE NAME: REM00284.dft	
	ENG APPR	TOCO	14.11.2014	SCALE: 1:3	REV:
	MGR APPR	TOCO	14.11.2014	WEIGHT:	SHEET: 1 OF 1

UNLESS OTHERWISE SPECIFIED DIMENSIONS ARE IN MILLIMETERS AND TOLERANCES ARE +/-0,5

REV	DESCRIPTION	DATE	APPROVED
REVISION HISTORY			