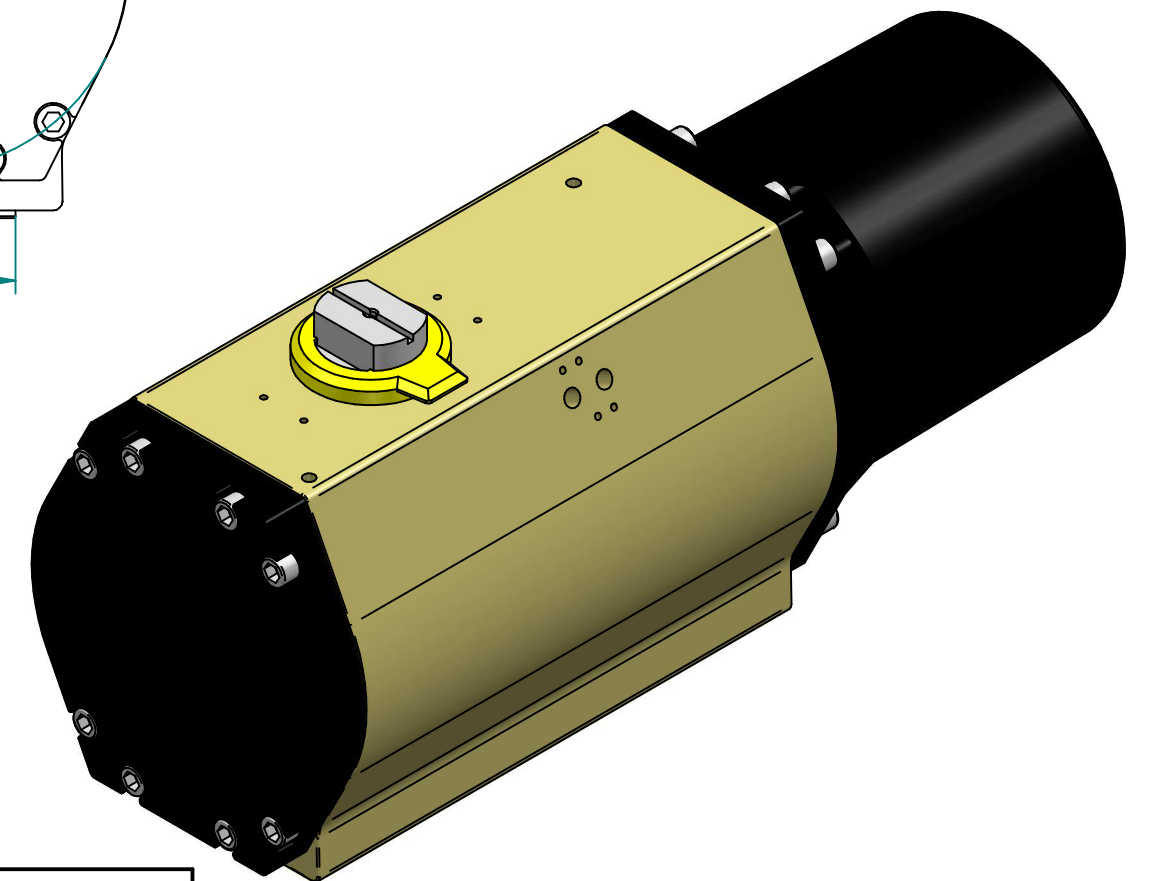
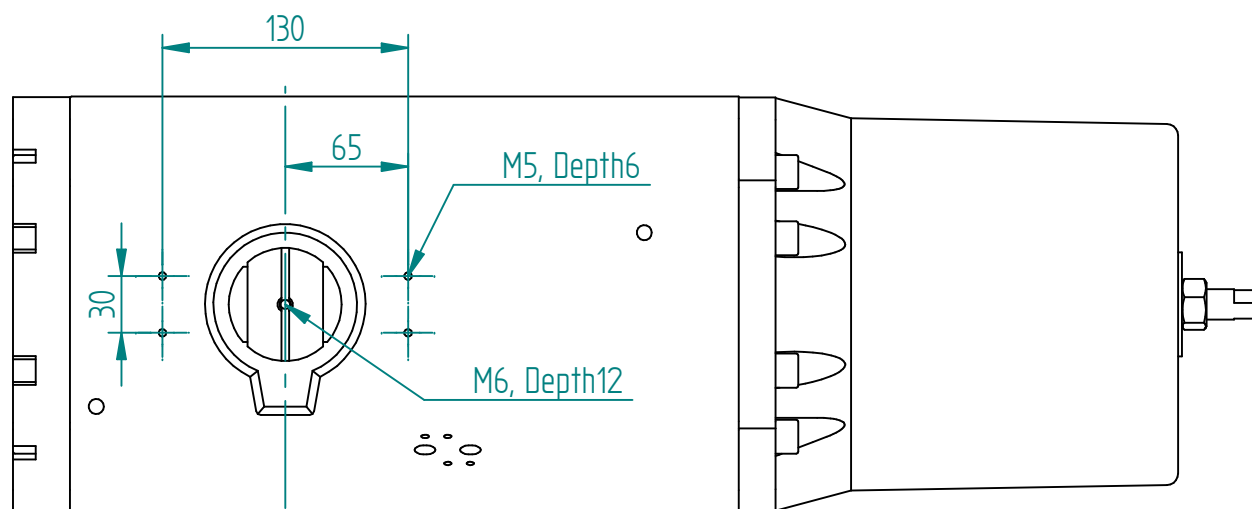
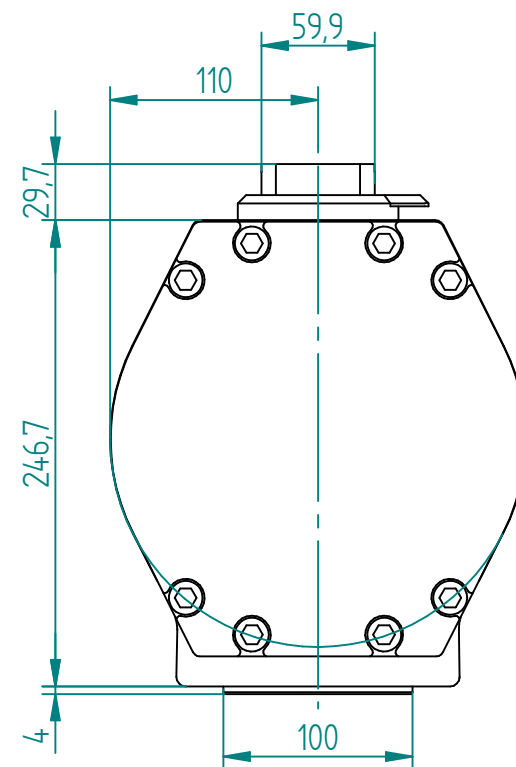
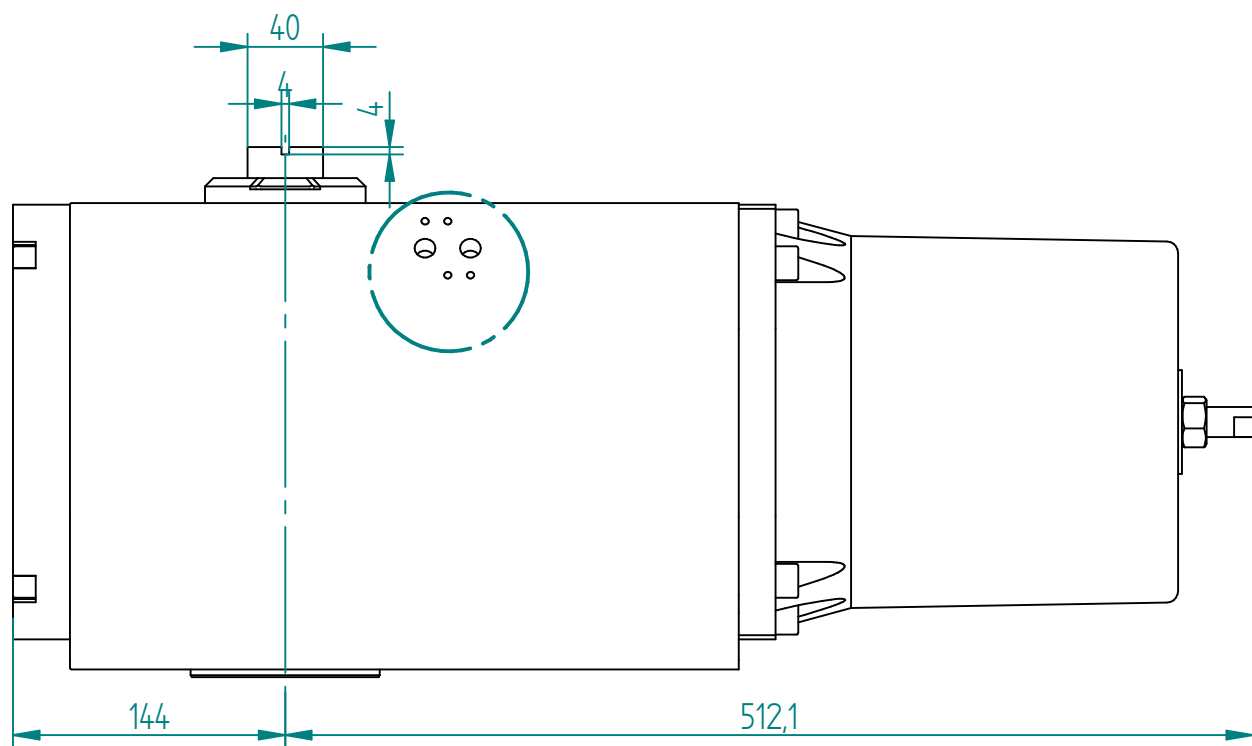


### DETAIL A 1:1,5

Hole pattern for solenoid valves acc. to VDI/VDE 3845, NAMUR



TITLE PNEUMATIC ACTUATOR RCT270 SR F14   170X110   SQR36		NAME	DATE	SIZE	DWG NO
	DRAWN	MOTO	10.11.2014	A3	REM00227
	CHECKED	TOCO	10.11.2014	FILE NAME: REM00227.dft	
	ENG APPR	TOCO	10.11.2014	SCALE: 1:4	REV: .....
	MGR APPR	TOCO	10.11.2014	WEIGHT:	SHEET: 1 OF 1

UNLESS OTHERWISE SPECIFIED DIMENSIONS ARE IN MILLIMETERS AND TOLERANCES ARE +/-0,5

REV	DESCRIPTION	DATE	APPROVED
REVISION HISTORY			