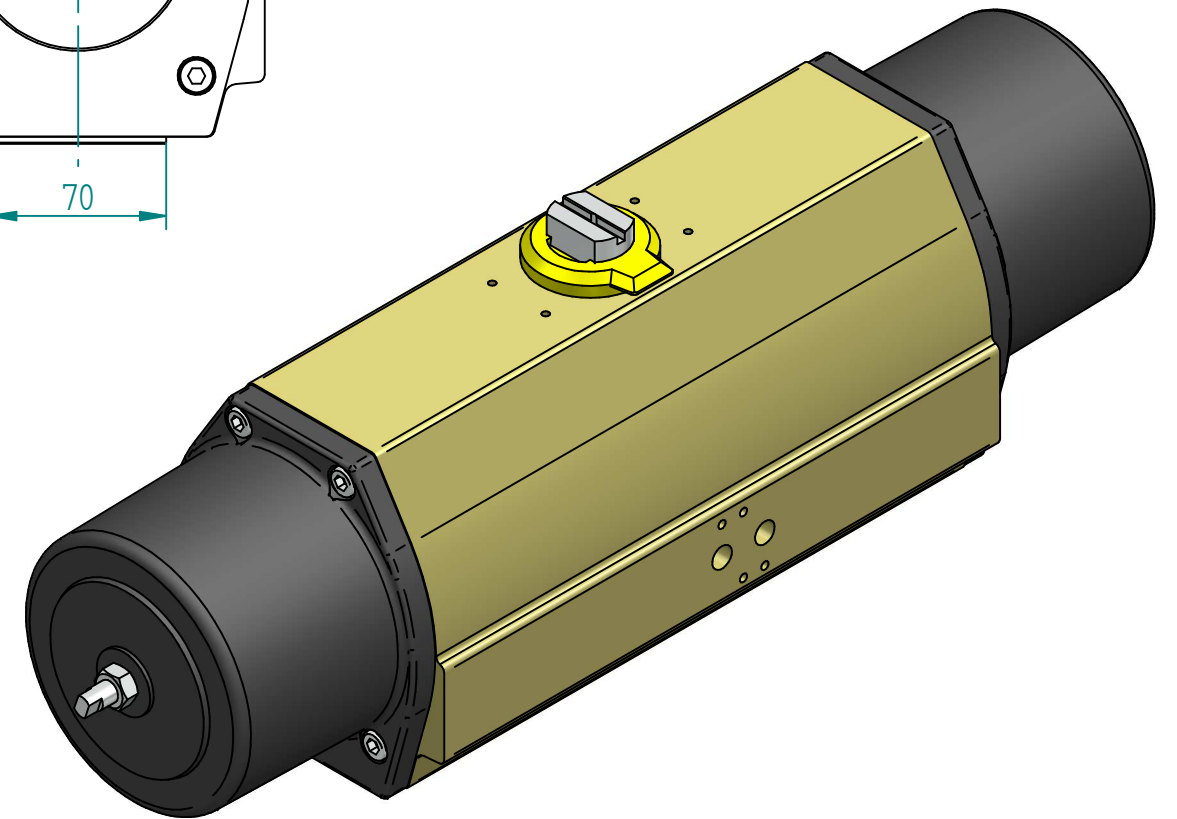
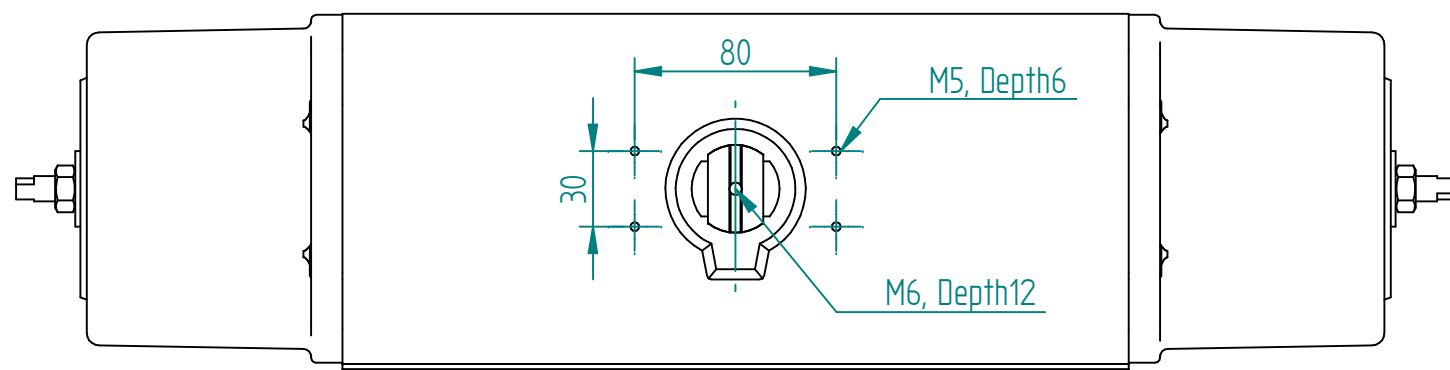
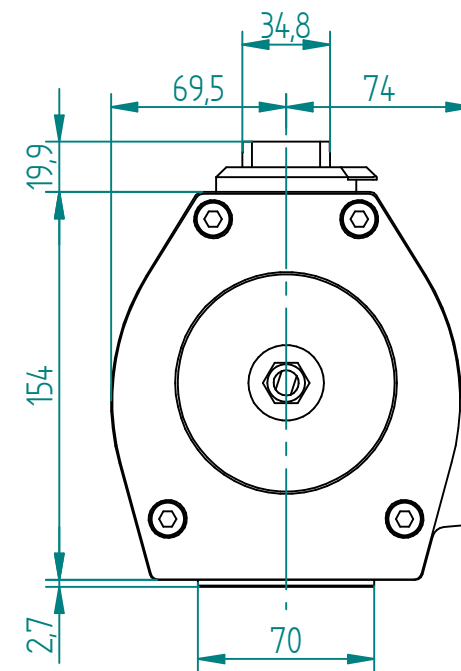
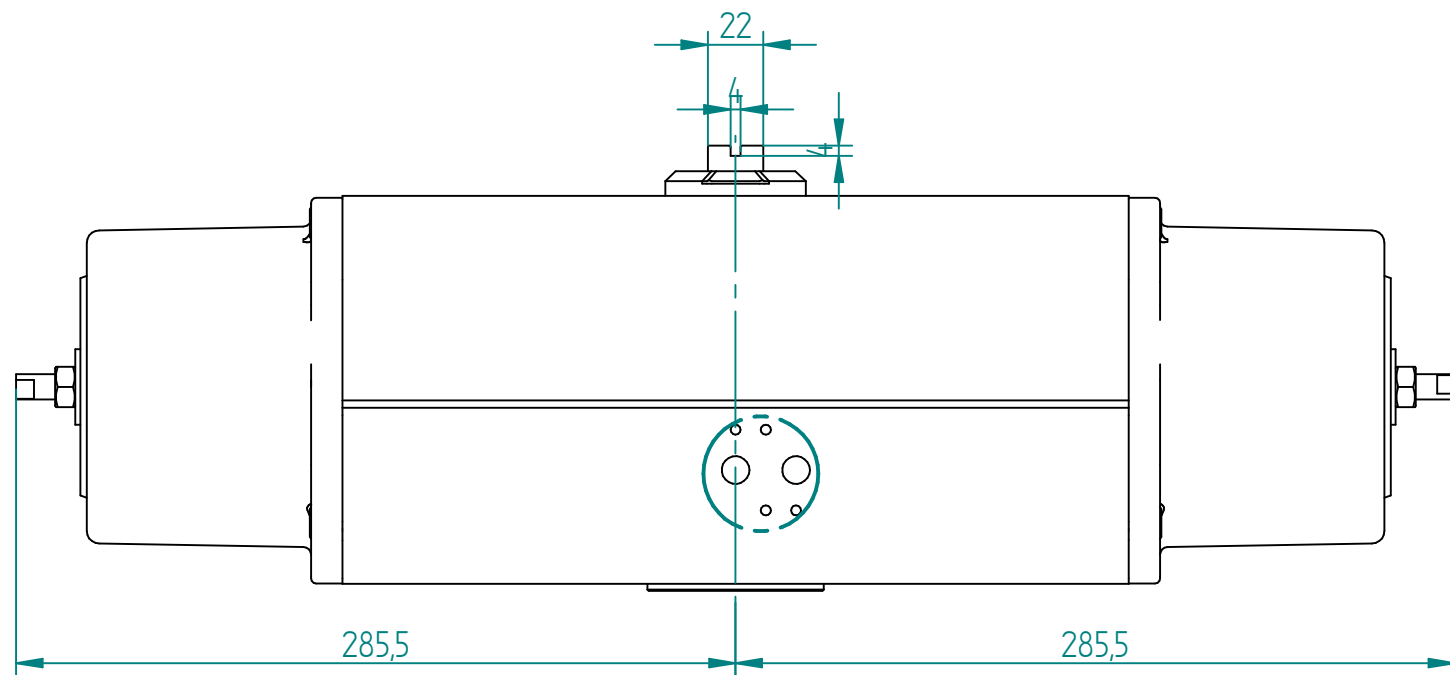


DETAIL A 1:1

Hole pattern for solenoid valves acc. to VDI/VDE 3845, NAMUR



TITLE	PNEUMATIC ACTUATOR RCT260 SR F10 F12 SQR27	NAME	MOTO	DATE	07.11.2014	SIZE	A3	DWG NO	REM00226
		CHECKED	TOCO	DATE	07.11.2014	FILE NAME: REM00226.dft			
		ENG APPR	TOCO	DATE	07.11.2014	SCALE: 1:3	REV:		
		MGR APPR	TOCO	DATE	07.11.2014	WEIGHT:	SHEET: 1 OF 1		
		UNLESS OTHERWISE SPECIFIED DIMENSIONS ARE IN MILLIMETERS AND TOLERANCES ARE +/-0,5							

REV	DESCRIPTION	DATE	APPROVED
REVISION HISTORY			