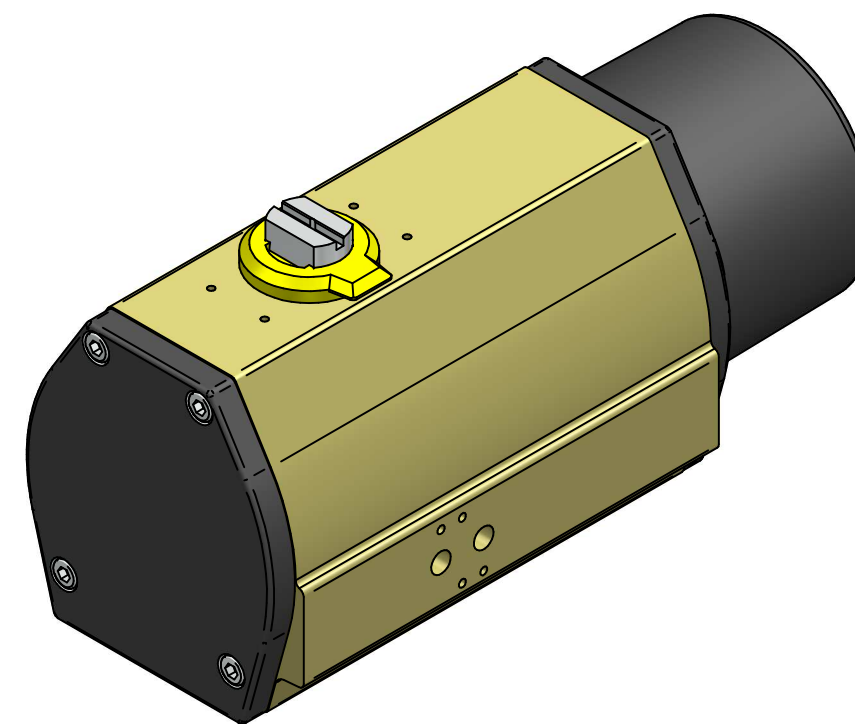
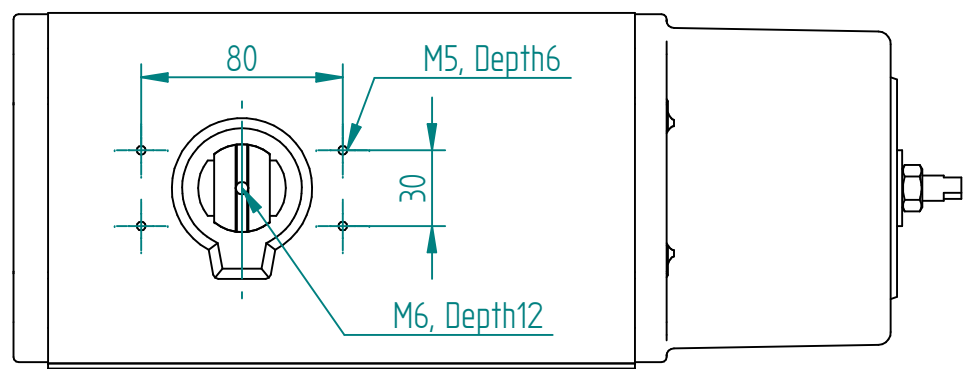
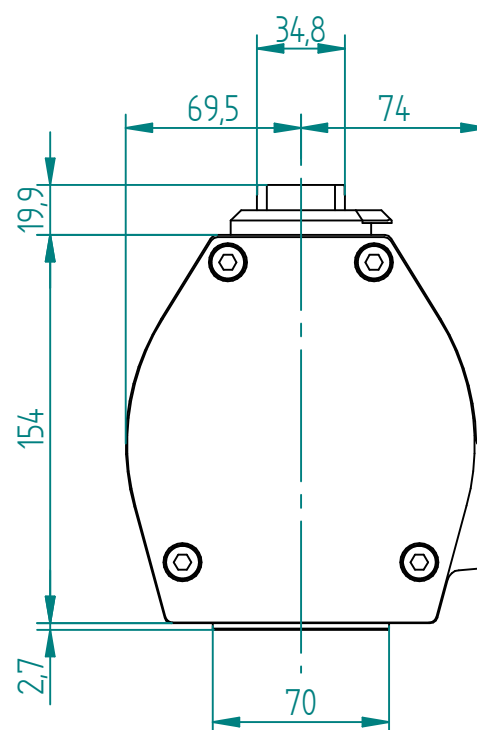
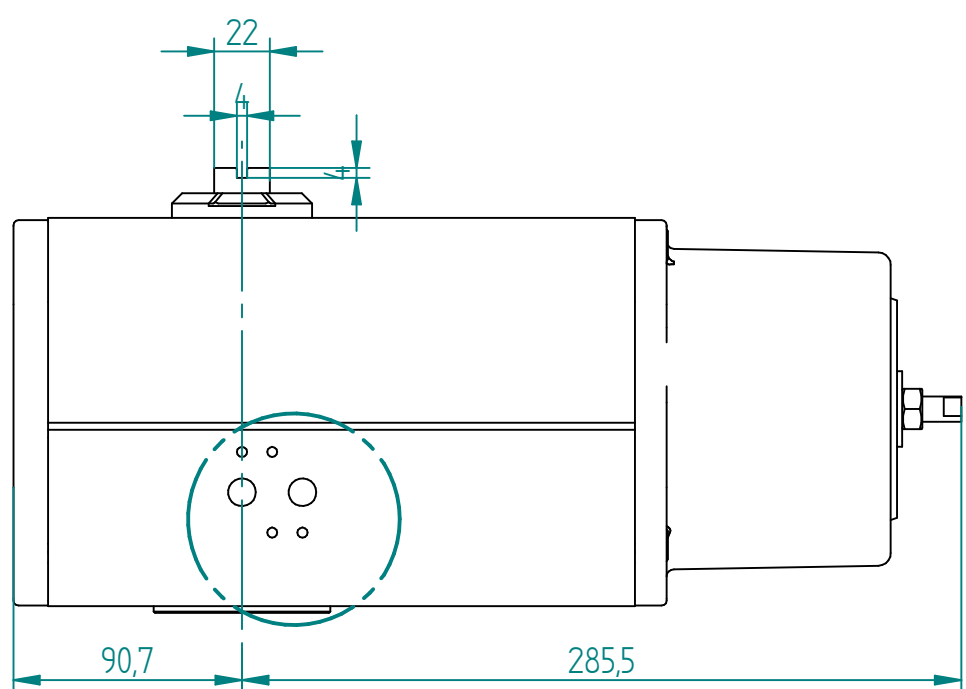


DETAIL A 1:1

Hole pattern for solenoid valves acc. to VDI/VDE 3845, NAMUR



| | | | | | |
|---|----------|------|------------|-------------------------|---------------|
| TITLE PNEUMATIC ACTUATOR RCT250 SR F10 F12 SQR 22 | | NAME | DATE | SIZE | DWG NO |
| | DRAWN | MOTO | 10.11.2014 | A3 | REM00225 |
| | CHECKED | TOCO | 10.11.2014 | FILE NAME: REM00225.dft | |
| | ENG APPR | TOCO | 10.11.2014 | SCALE: 2:1 | REV: |
| | MGR APPR | TOCO | 10.11.2014 | WEIGHT: | SHEET: 1 OF 1 |

UNLESS OTHERWISE SPECIFIED DIMENSIONS ARE IN MILLIMETERS AND TOLERANCES ARE +/-0,5

| REV | DESCRIPTION | DATE | APPROVED |
|------------------|-------------|------|----------|
| REVISION HISTORY | | | |