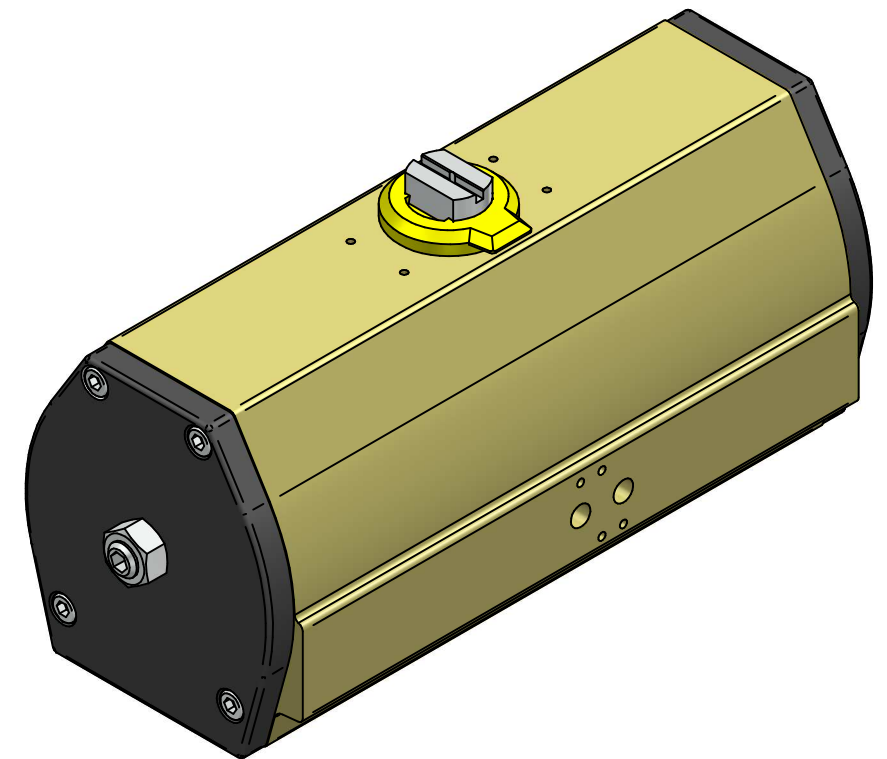


DETAIL A 1:1

Hole pattern for solenoid valves acc. to VDI/VDE 3845, NAMUR



TITLE	PNEUMATIC ACTUATOR RCT260 DA F10 F12 SQR 27	NAME	DATE	SIZE	DWG NO	UNLESS OTHERWISE SPECIFIED DIMENSIONS ARE IN MILLIMETERS AND TOLERANCES ARE +/-0,5
		DRAWN	MOTO	07.11.2014	A3 REM00206	
		CHECKED	TOCO	07.11.2014	FILE NAME: REM00206.dft	
		ENG APPR	TOCO	07.11.2014	SCALE: 1:3	
		MGR APPR	TOCO	07.11.2014	WEIGHT:	SHEET: 1 OF 1

REV	DESCRIPTION	DATE	APPROVED
REVISION HISTORY			