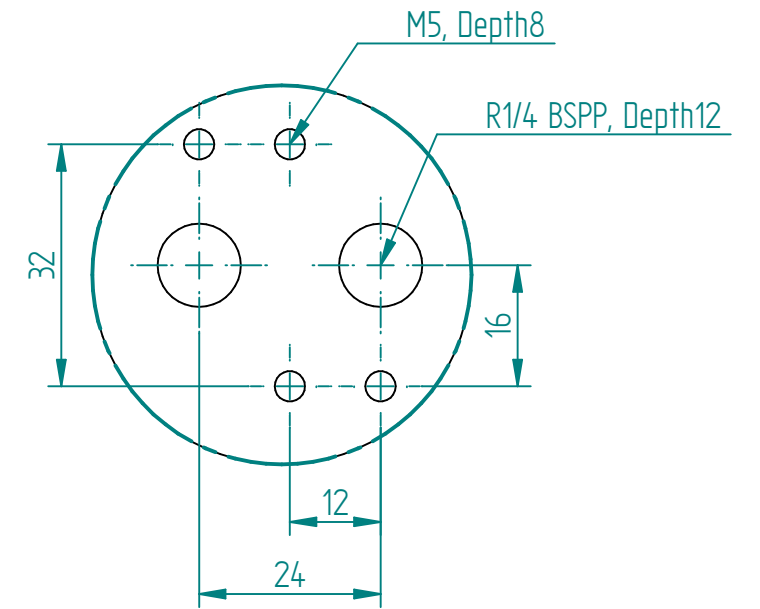
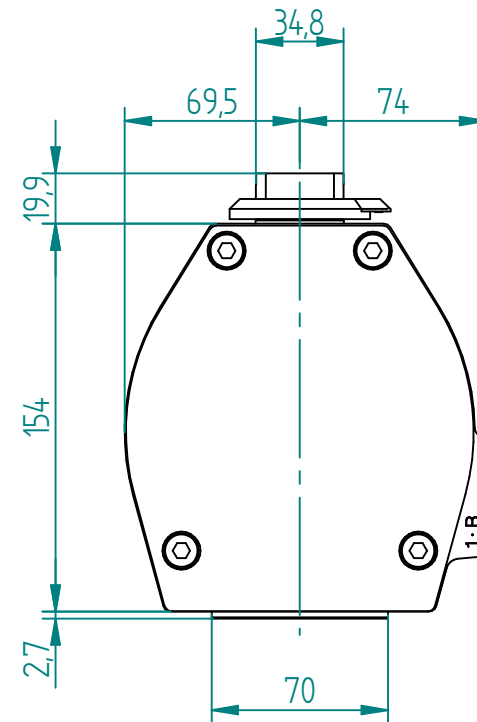


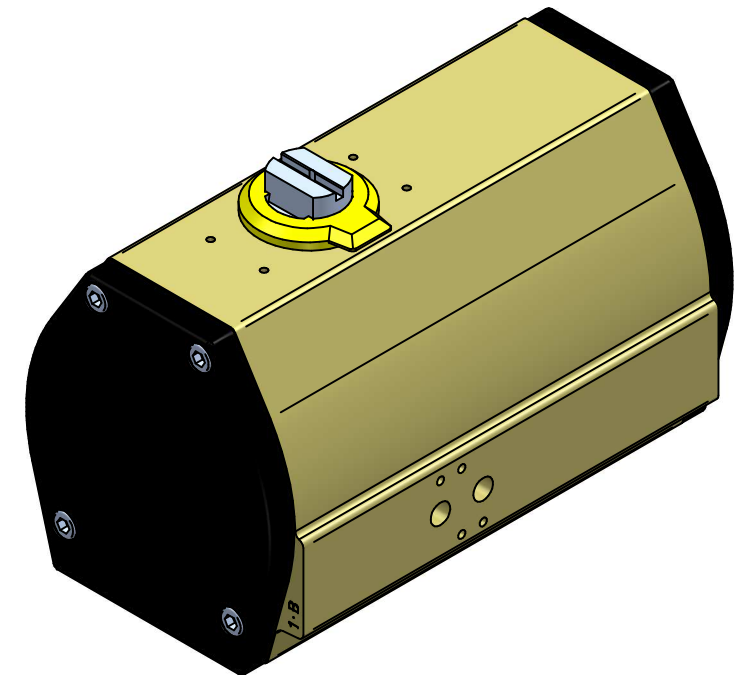
M6, Depth12

M5, Depth6



### DETAIL A 1:1

Hole pattern for solenoid valves acc. to VDI/VDE 3845, NAMUR



TITLE	PNEUMATIC ACTUATOR RCT250 DA F10   F12   SQR 22	NAME	DATE	SIZE	DWG NO	UNLESS OTHERWISE SPECIFIED DIMENSIONS ARE IN MILLIMETERS AND TOLERANCES ARE +/-0,5	
		DRAWN	MOTO	07.11.2014	<b>A3</b> REM00205		
		CHECKED	TOCO	07.11.2014	FILE NAME: REM00205.dft		
		ENG APPR	TOCO	07.11.2014	SCALE: 1:3		REV: .....
		MGR APPR	TOCO	07.11.2014	WEIGHT:		SHEET: 1 OF 1

REV	DESCRIPTION	DATE	APPROVED
REVISION HISTORY			