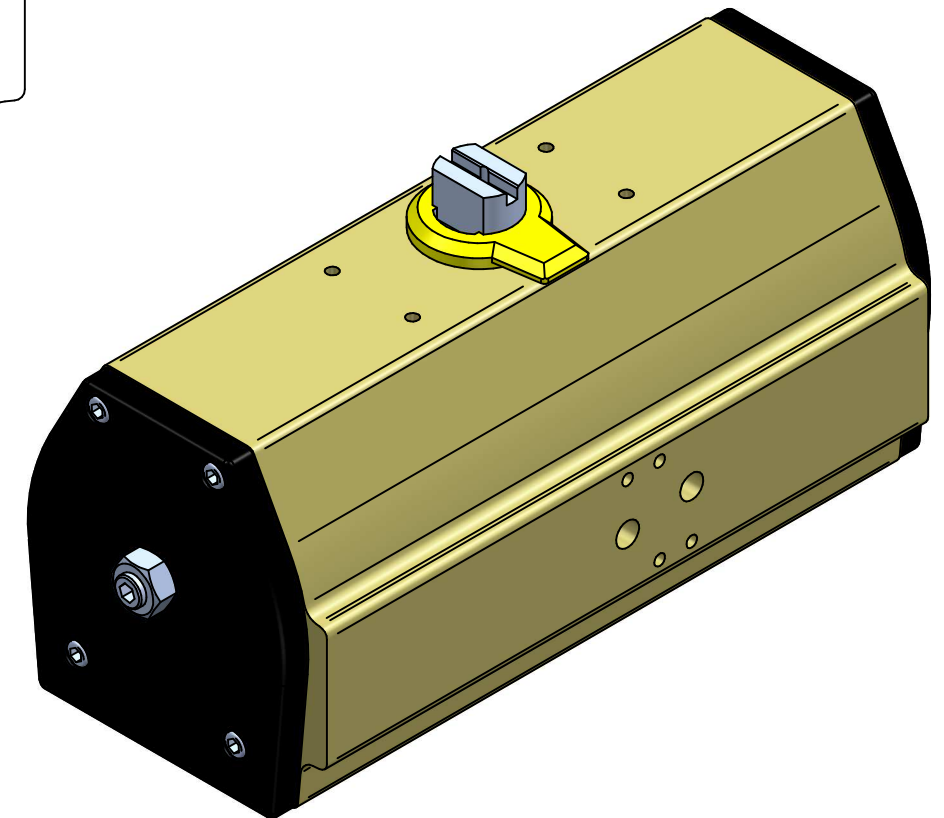


DETAIL A 1:1

Hole pattern for solenoid valves acc. to VDI/VDE 3845, NAMUR



TITLE PNEUMATIC ACTUATOR RCT240 DA F07 F10 SQR 22		NAME	DATE	SIZE	DWG NO	UNLESS OTHERWISE SPECIFIED DIMENSIONS ARE IN MILLIMETERS AND TOLERANCES ARE +/-0,5
	DRAWN	MOTO	07.11.2014	A3	REM00204	
	CHECKED	TOCO	07.11.2014	FILE NAME: REM00204.dft		
	ENG APPR	TOCO	07.11.2014	SCALE: 1:2	REV:	
	MGR APPR	TOCO	07.11.2014	WEIGHT:	SHEET: 1 OF 1	

REV	DESCRIPTION	DATE	APPROVED
REVISION HISTORY			