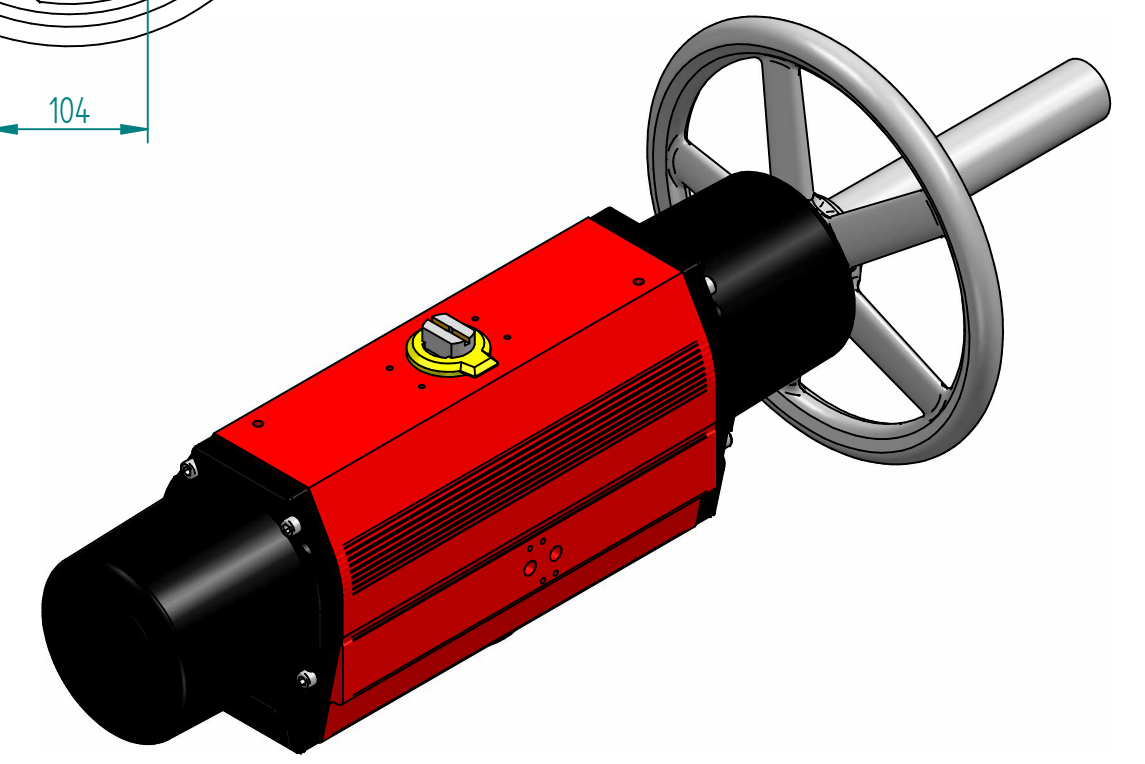


DETAIL A 1:1

Hole pattern for solenoid valve acc. to VDI/VDE 3845, NAMUR



TITLE PNEUMATIC ACTUATOR RC265SRM F12 SQR27	DRAWN	MOTO	05.11.2014	SIZE A3	DWG NO REM000865
	CHECKED	TOCO	05.11.2014	FILE NAME: REM000865.dft	
	ENG APPR	TOCO	05.11.2014	SCALE: 1:5	REV:
	MGR APPR	TOCO	05.11.2014	WEIGHT:	SHEET: 1 OF 1
	UNLESS OTHERWISE SPECIFIED DIMENSIONS ARE IN MILLIMETERS AND TOLERANCES ARE +/-0,5				

REV	DESCRIPTION	DATE	APPROVED
REVISION HISTORY			