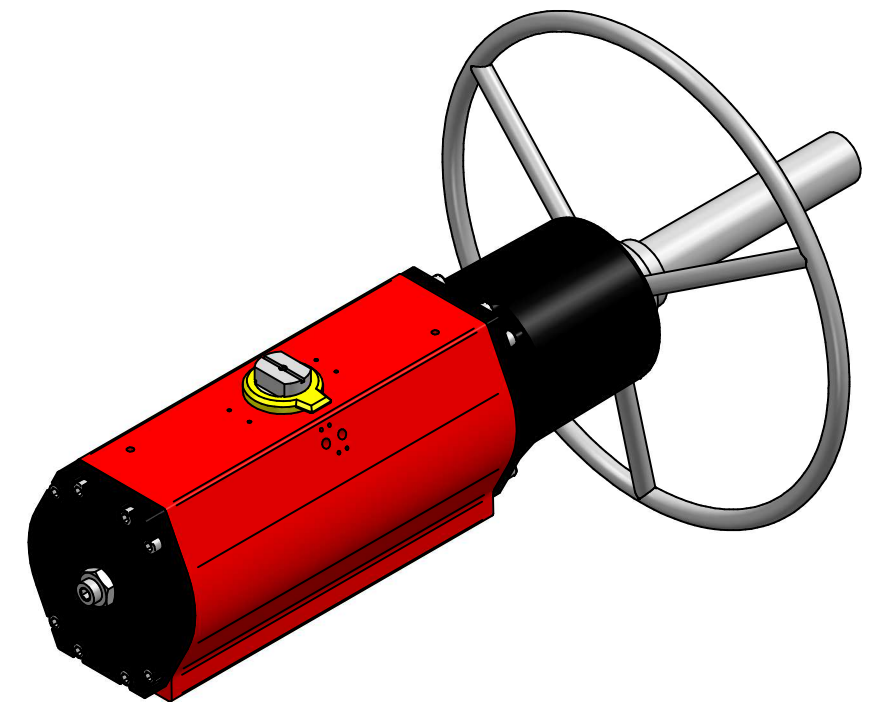


**DETAIL A 1:1**

Hole pattern for solenoid valve acc. to VDI/VDE 3845, NAMUR



TITLE PNEUMATIC ACTUATOR RC280DAM F12   F16   234,7x97,2   SQR46		NAME	DATE	SIZE	DWG NO	UNLESS OTHERWISE SPECIFIED DIMENSIONS ARE IN MILLIMETERS AND TOLERANCES ARE +/-0,5
	DRAWN	MOTO	05.11.2014	A3	REM00067	
	CHECKED	TOCO	05.11.2014	FILE NAME: REM00068.dft		
	ENG APPR	TOCO	05.11.2014	SCALE: 1:8	REV: .....	
	MGR APPR	TOCO	05.11.2014	WEIGHT:	SHEET: 1 OF 1	

REV	DESCRIPTION	DATE	APPROVED
REVISION HISTORY			