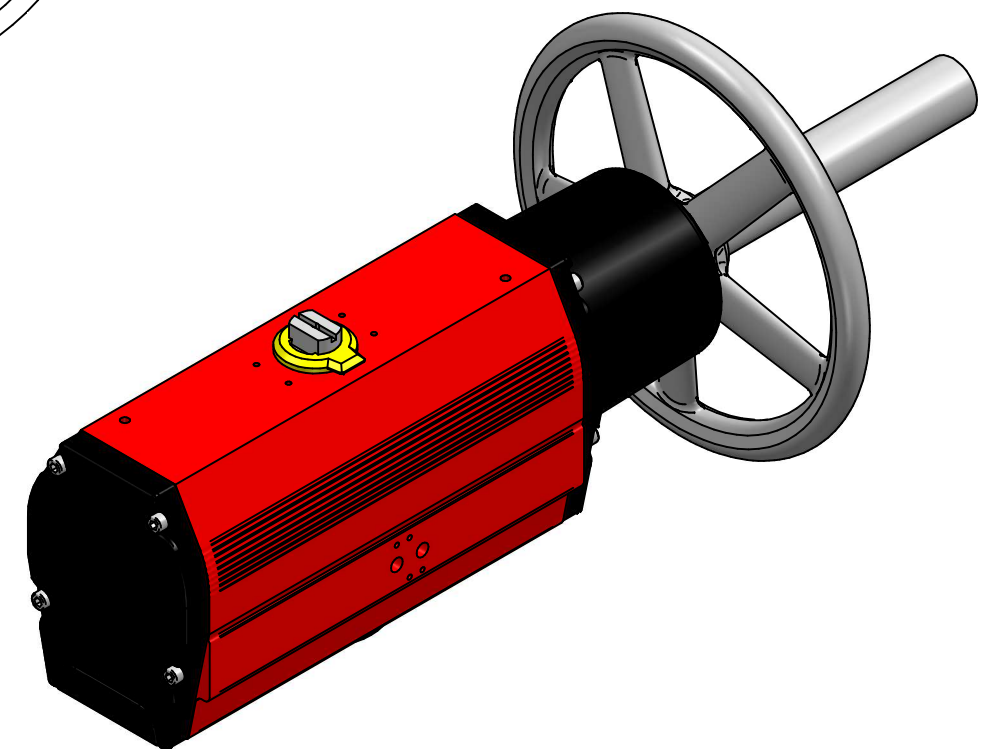
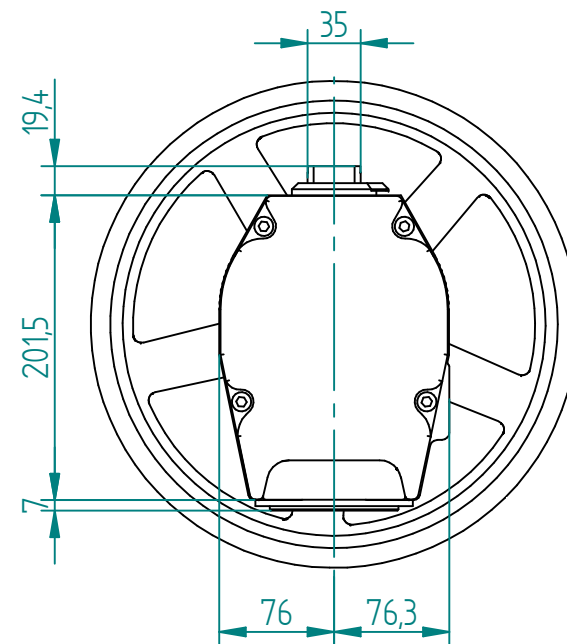


DETAIL A 1:1

Hole pattern for solenoid valve acc. to VDI/VDE 3845, NAMUR



TITLE PNEUMATIC ACTUATOR RC265DAM F12 SQR36		NAME	DATE	SIZE	DWG NO	UNLESS OTHERWISE SPECIFIED DIMENSIONS ARE IN MILLIMETERS AND TOLERANCES ARE +/-0,5
	DRAWN	MOTO	04.11.2014	A3	REM00066B	
	CHECKED	TOCO	04.11.2014	FILE NAME: REM00066B.dft		
	ENG APPR	TOCO	04.11.2014	SCALE: 1:5	REV:	
	MGR APPR	TOCO	04.11.2014	WEIGHT:	SHEET: 1 OF 1	

REV	DESCRIPTION	DATE	APPROVED
REVISION HISTORY			