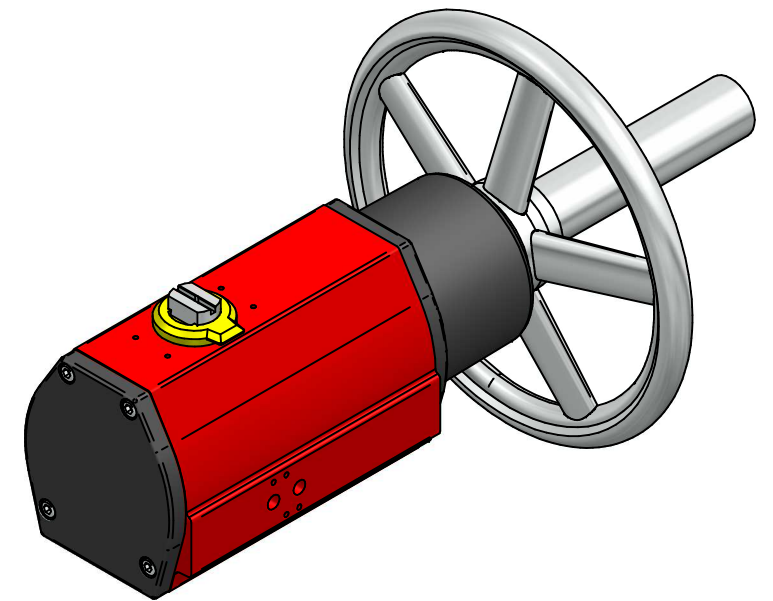


DETAIL A 1:1

Hole pattern for solenoid valve acc. to VDI/VDE 3845, NAMUR



| | | | | | | |
|--|----------|------|------------|-------------------------|---------------|--|
| TITLE PNEUMATIC ACTUATOR RC250DAM F10 F12 SQR22 | | NAME | DATE | SIZE | DWG NO | UNLESS OTHERWISE SPECIFIED DIMENSIONS ARE IN MILLIMETERS AND TOLERANCES ARE +/-0,5 |
| | DRAWN | MOTO | 04.11.2014 | A3 | REM00065 | |
| | CHECKED | TOCO | 04.11.2014 | FILE NAME: REM00065.dft | | |
| | ENG APPR | TOCO | 04.11.2014 | SCALE: 1:5 | REV: | |
| | MGR APPR | TOCO | 04.11.2014 | WEIGHT: | SHEET: 1 OF 1 | |

| REV | DESCRIPTION | DATE | APPROVED |
|------------------|-------------|------|----------|
| REVISION HISTORY | | | |