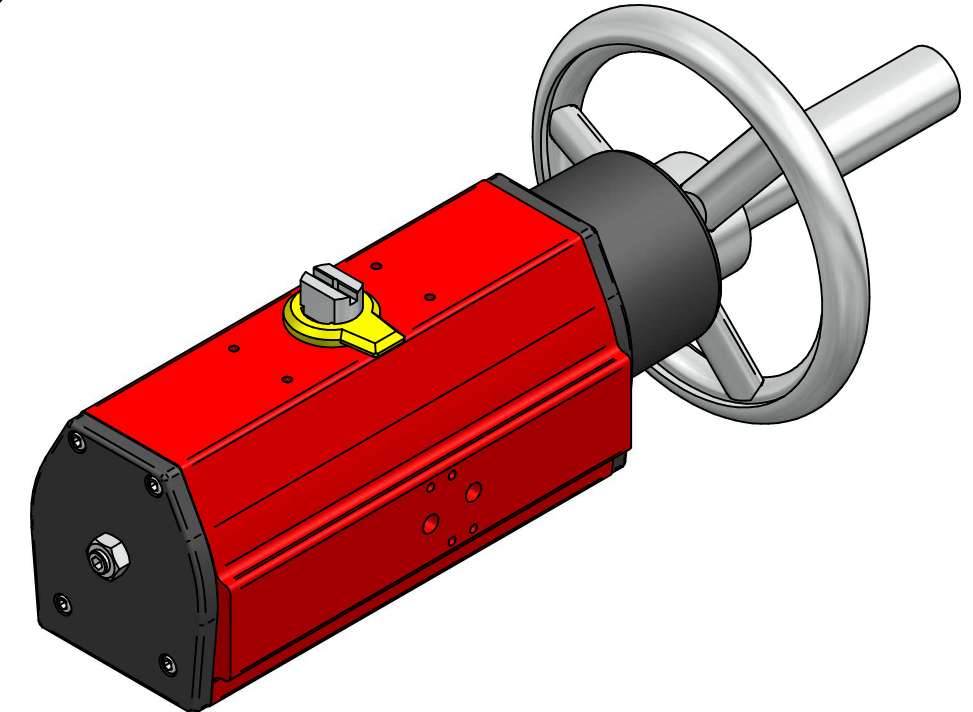


**DETAIL A 1:1**

Hole pattern for solenoid valve acc. to VDI/VDE 3845, NAMUR



TITLE PNEUMATIC ACTUATOR RC240DAM F07   F10   SQR22		NAME	DATE	SIZE	DWG NO
	DRAWN	MOTO	04.11.2014	<b>A3</b>	REM00064
	CHECKED	TOCO	04.11.2014	FILE NAME: REM00064.dft	
	ENG APPR	TOCO	04.11.2014	SCALE: 1:3	REV: .....
	MGR APPR	TOCO	04.11.2014	WEIGHT:	SHEET: 1 OF 1

UNLESS OTHERWISE SPECIFIED DIMENSIONS ARE IN MILLIMETERS AND TOLERANCES ARE +/-0,5

REV	DESCRIPTION	DATE	APPROVED
REVISION HISTORY			